



ENGLISH

Datasheet

88dB Continuous 7Vdc Surface Mount Electromagnetic Buzzer

RS Stock number [457-037](#)

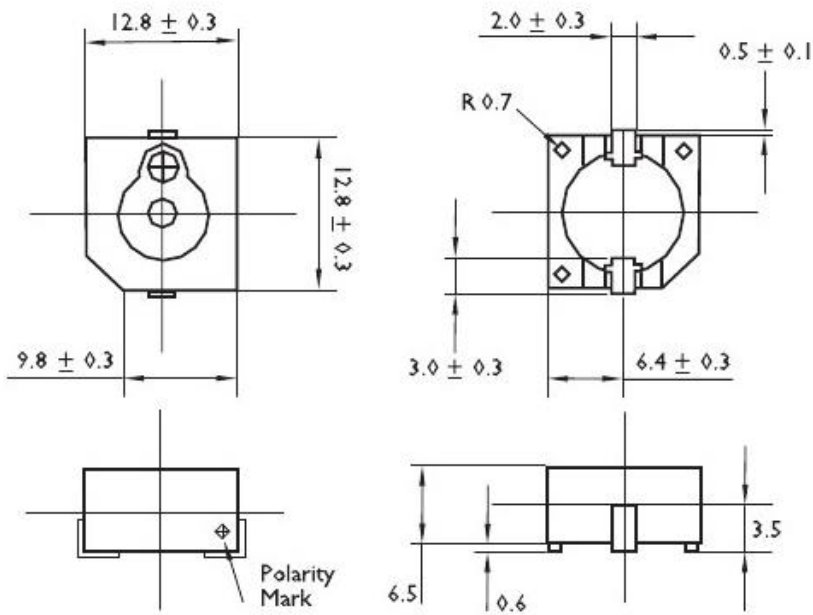


Specifications:

Rated voltage:	5VDC
Operating voltage	4-7VDC
Rated current:*	≤30mA
Sound output at 30cm:*	≥88dB
Resonant frequency:	2400±400Hz
Tone:	Continuous
Operating temperature:	-20°C to +70°C
Storage temperature:	-30°C to +80°C
Weight:	2g
Drive Type:	Internal
Leads:	Flying lead connections
Mounting:	Square cased surface mounting

*Value applying at rated voltage (DC)

Dimensions:



Dimensions Unit: mm

Tolerance: $\pm 0.5\text{mm}$