

# 720-6300 Series

## Electronic LCD Hour Meter



The Model 720 Electronic Hour Meter offers a large 8 digit LCD display, (9999999.9) 0.32" (8mm) high, with an input operating voltage of 85-500VAC. The front of the unit is totally sealed, and the Hour Meter is housed in a rugged steel enclosure that is interchangeable with the Redington Model 720 Electro Mechanical Hour Meters. The wide operating voltage makes this product ideal for almost any application.

### Key Features

- Operating voltage 85-500VAC
- Rugged steel housing
- Lithium battery
- Quartz accuracy (better than 0.01%)
- Popular 3-hole mounting
- Options include:
  - Gasket (721-0004)

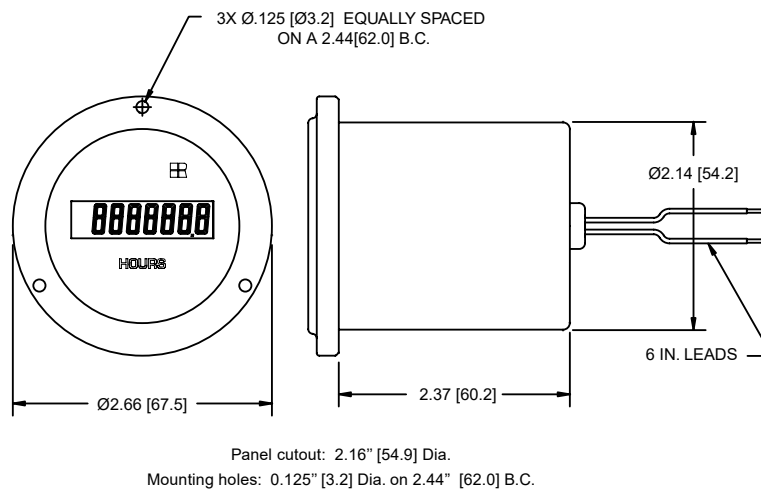
### Applications

- Test Equipment
- Control Panels
- Outdoor Lighting
- Compressors
- Industrial Equipment

## Specifications

<b>Display:</b>	Large 8 digit LCD (999999.9), 0.32" [8mm] high
<b>Reset:</b>	Non-reset
<b>Voltage:</b>	85-500VAC 50/60Hz
<b>Hour Meter Memory:</b>	Self-powered (internal lithium battery)
<b>Termination:</b>	Wire leads 6" [152mm]
<b>Mounting:</b>	Panel (3-Hole)
<b>Temp. Range:</b>	
<b>Operating:</b>	-4°F to + 140°F (-20°C to +60°C)
<b>Storage:</b>	-40°F to +165°F (-40°C to +75°C)
<b>Humidity:</b>	0 to 95% RH, non-condensing, front totally sealed
<b>Vibration:</b>	10 to 80 Hz, 0.06 double amplitude
<b>Shock:</b>	50G
<b>Dielectric:</b>	1000VAC 50/60Hz for 1 minute
<b>Accuracy:</b>	Quartz accuracy (better than 0.01%)
<b>Weight:</b>	5.0 oz (142g)

## Dimensions



## Part Numbers

**720-6300** 85-500VAC, non-reset, 3-hole round, 6" (152mm) wire leads

