

ASi Power Supply 4 A

90 V AC up to 265 V AC wide range power supply (BW1649)

ASi Power Supply 8 A

115 V AC/230 V AC power supply with range switch (BW1997)

SELV

LED operation indicator

ASi data decoupling

Power factor correction



(figure similar)



Article no. BW1649 AS-i Power Supply 4 A, wide range power supply

Article no. BW1997 AS-i Power Supply 8 A, power supply with range switch

The primary clocked power supply is supposed for fieldbus applications, which transport energy and data via a 2-wire line at the same time.

The ASi Supply powers a fully loaded ASi system with a maximum output current of 4 A or 8 A. The sinusoidal current consumption of the power supply prevents harmonic waves. The current is approximately in phase with the voltage by means of

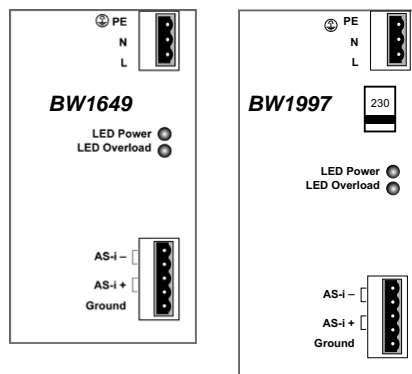
the passive power factor correction and leads to only a little reactive power. This guarantees a power factor $\cos\varphi \geq 0.6$.

Besides the energy supply the power supply takes over also the function of data decoupling to the power source and the balancing of the two ASi output lines in relation to the machine ground (shield).

Due to the accurate and transformic coupling the use of unscreened load lines is possible.

Article no.	BW1649	BW1997
Input		
Power factor	approx. 0.6 (according to input voltage)	
Input frequency	47 ... 63 Hz	
Voltage range U_e	90 ... 265 V AC	115/230 V AC
Efficiency	approx. 90%	
Input current I_e	without idle current at 230 V AC	
	approx. 0.6 A	approx. 1.2 A
Input fuse	internal fuse electronic fuse against external short circuits	
Turn on surge current	<30 V	
Output		
Output voltage	30.9 ... 31.5 V DC	
Remaining ripple	according to ASi specification	
Output current	4 A	8 A
Current limitation	approx. 4.5 A	approx. 8.5 A
Displays		
LED green (PWR)	power on (at frontside)	
LED red (Overload)	overload error (at frontside)	
Standard conformity		
Protection category (EN 60 529)	IP20	
Standards	EN 60950, UL 60950	
Ambient operating temperature	-10 °C ... +55 °C	
Storage temperature	-40 °C ... +85 °C	
Dimensions (W / H / D in mm)	70 / 126 / 129	70 / 141 / 151

Connections:



Notice:

- Clamp GND must be connected with machine ground.
- Air circulation in the power supply may not be disturbed: therefore when mounting see that is at least 10 cm free space down and sufficiently free space above!

