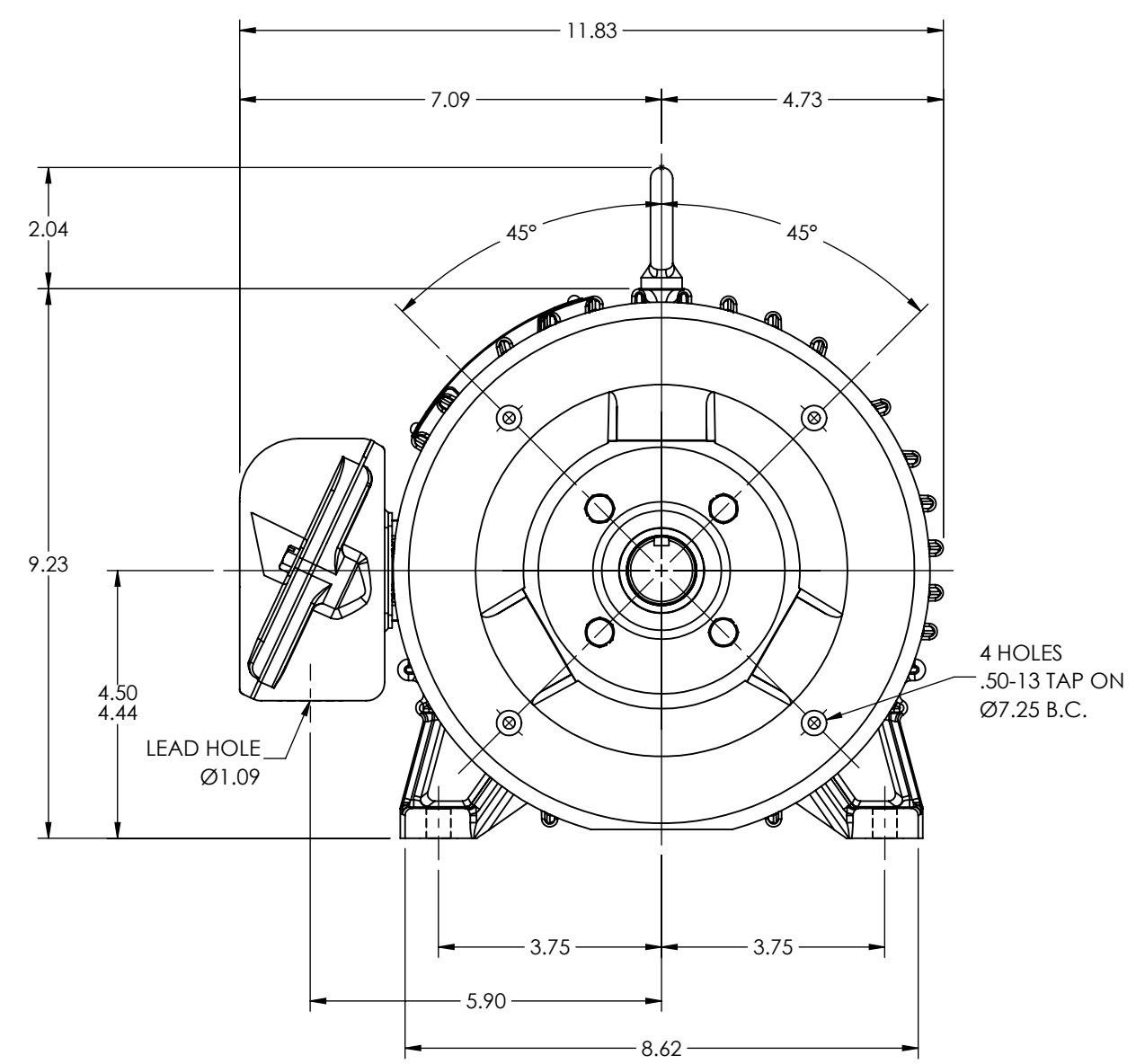
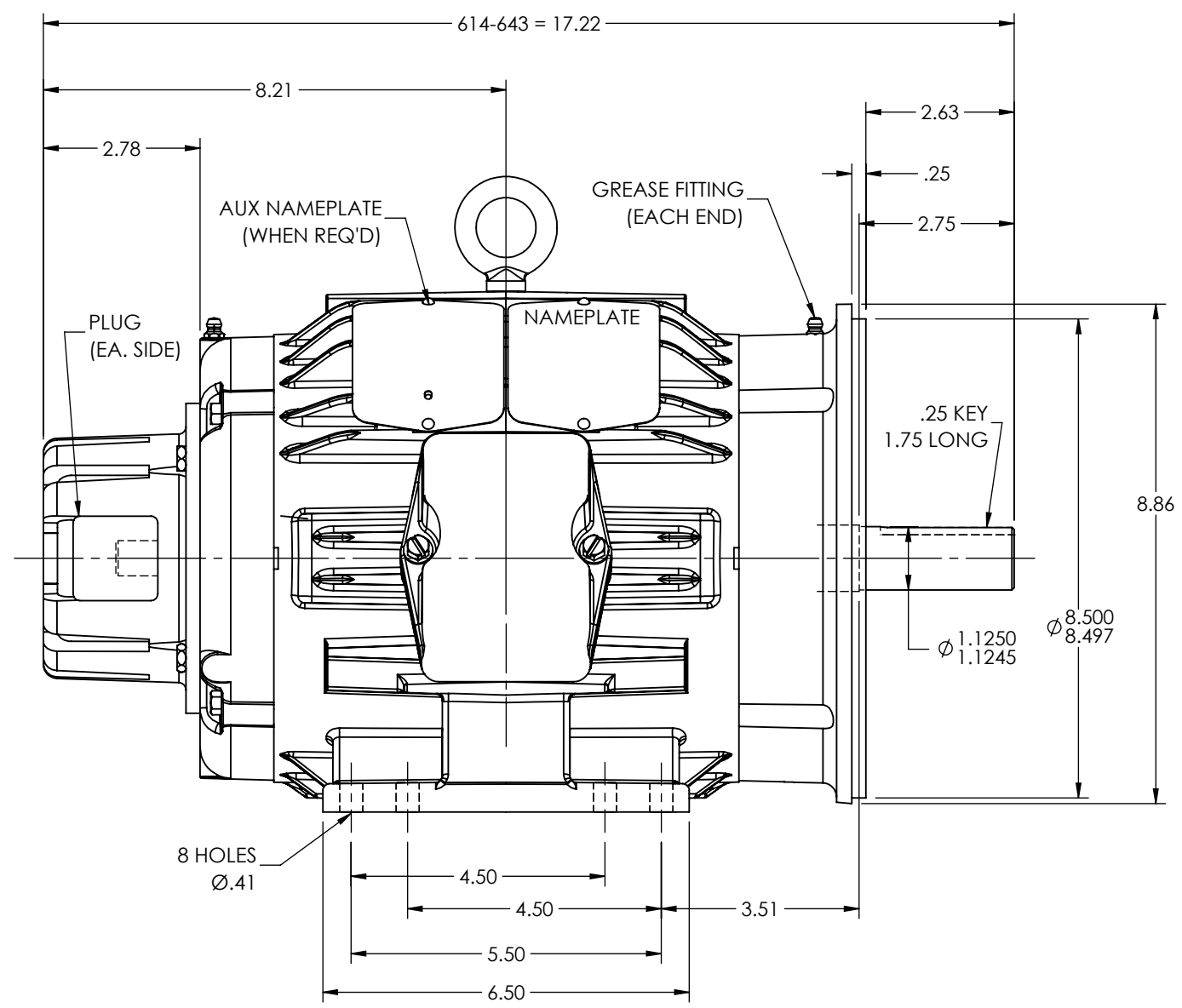


8 7 6 5 4 3 2 1

D  
C  
B  
A

D  
C  
B  
A

06LYF551



CUSTOMER IS RESPONSIBLE FOR DETERMINING THAT THE PRODUCT WILL PERFORM SUITABLY IN THE INTENDED APPLICATION

REV. DESC: LOADING OF INOPC SWD MODEL & DRAWING FOR PKG 37			
REV: F	VERSION: 03	REVISED: 09:35:53 09/19/2019	TDR: 000001120280
MODEL NO. 06LYF551			REF: -
BY: ENALEM0			<b>B</b>

**BALDOR - RELIANCE®**

STD HORZ 182-4TC TENV INVERTER (THRU-SHAFT ENCODER)

8 7 6 5 4 3 2 1

06LYF551