

30mm Command/52, Chrome Finish Heavy Duty, Watertight/Oiltight Complete Metal Unit Illuminated Push-Pull Operator Full Voltage, 24V AC/DC LED Lamp Mushroom Head Cap Small 1 3/4" (44.5 mm) Metal, Chrome with Red Lens 3 Position Momentary 1 N.C.+1 N.C. Extra Late Break Heavy Duty Contacts, A600/P600 UL Listed, CSA Certified NEMA 1,3,3R,4,4X,12,13 & Automotive Standards

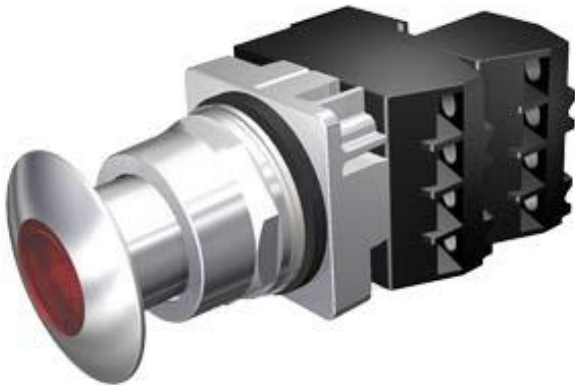


Figure similar

| Enclosure                               |          |
|---|----------|
| Number of command points                | 1        |
| Delivery state                          |          |
| • as a kit                              | No       |
| Actuator                                |          |
| Product extension optional Light source | Yes      |
| Number of contact modules               | 2        |
| Type of unlocking device                | without  |
| Number of switching positions           | 3        |
| Front ring                              |          |
| Product component front ring            | Yes      |
| Design of the front ring                | standard |
| Material of the front ring              | metal    |
| Contact block/ lampholder               |          |
| Number of lampholders                   | 1        |
| Display                                 |          |

|                       |   |
|-----------------------|---|
| Number of LED modules | 1 |
|-----------------------|---|

### General technical data

|   |       |
|---|-------|
| <b>Product function</b>                     |       |
| • positive opening                          | No    |
| <b>Product component</b>                    |       |
| • lamp transformer                          | No    |
| • Light source                              | Yes   |
| <b>Insulation voltage</b>                   |       |
| • rated value                               | 600 V |
| <b>Type of voltage</b>                      |       |
| • of the operating voltage                  | AC/DC |
| • of the input voltage                      | AC/DC |
| <b>Surge voltage resistance rated value</b> | 4 kV  |
| <b>Protection class IP</b>                  | IP66  |
| • of the terminal                           | IP20  |
| <b>Thermal current</b>                      | 10 A  |

### Supply voltage

|   |             |
|---|-------------|
| <b>Type of voltage of the supply voltage</b>    |             |
| • of the light source                           | AC/DC       |
| <b>Supply voltage of the light source at AC</b> |             |
| • at 60 Hz rated value                          | 28 ... 24 V |
| <b>Supply voltage of the light source at DC</b> |             |
| • rated value                                   | 28 ... 24 V |

### Auxiliary circuit

|   |      |
|---|------|
| <b>Number of NC contacts for auxiliary contacts</b> | 2    |
| <b>Number of NO contacts for auxiliary contacts</b> | 0    |
| <b>Operating current at AC-15</b>                   |      |
| • at 110 V rated value                              | 60 A |
| • at 230 V rated value                              | 30 A |
| • at 400 V rated value                              | 15 A |
| • at 500 V rated value                              | 12 A |

### Connections/ Terminals

|   |                      |
|---|----------------------|
| <b>Type of electrical connection</b>                  | screw-type terminals |
| <b>Tightening torque of the screws in the bracket</b> | 20 N·m               |
| <b>Tightening torque [lbf·in]</b>                     |                      |
| • with screw-type terminals                           | 8 ... 8 lbf·in       |

### Lamp

|                                  |     |
|----------------------------------|-----|
| <b>Color of the light source</b> | red |
|----------------------------------|-----|

### Ambient conditions

|                            |  |
|----------------------------|--|
| <b>Ambient temperature</b> |  |
|----------------------------|--|

- during operation
- during storage

-35 ... +70 °C

-40 ... +85 °C

## Installation/ mounting/ dimensions

**Shape of the installation opening**

round

## Certificates/ approvals

## Further information

**Information- and Downloadcenter (Catalogs, Brochures,...)**

<https://www.siemens.com/ic10>

**Industry Mall (Online ordering system)**

<https://mall.industry.siemens.com/mall/en/en/Catalog/product?mlfb=US2:52PP3D2UB>

**Cax online generator**

<http://support.automation.siemens.com/WW/CAXorder/default.aspx?lang=en&mlfb=US2:52PP3D2UB>

**Service&Support (Manuals, Certificates, Characteristics, FAQs,...)**

<https://support.industry.siemens.com/cs/ww/en/ps/US2:52PP3D2UB>

**Image database (product images, 2D dimension drawings, 3D models, device circuit diagrams, EPLAN macros, ...)**

[http://www.automation.siemens.com/bilddb/cax\\_de.aspx?mlfb=US2:52PP3D2UB&lang=en](http://www.automation.siemens.com/bilddb/cax_de.aspx?mlfb=US2:52PP3D2UB&lang=en)

**last modified:**

02/14/2020