








accessory for VL400UL, VL400XUL (JG frame-LG frame) Max Flex operator, complete incl. op. mech., Bowden cable & HEBE



Model	
Product brand name	SETRON
Accessories	
accessories	Accessories for...UL, VL400002
Mechanical Design	
Net weight	2.05 kg
Certificates	

General Product Approval	EMC	Declaration of Conformity	Test Certificates	Shipping Approval
Miscellaneous  UL	 C-Tick	 EG-Konf.	Special Test Certificate	 BUREAU VERITAS

Shipping Approval	other				
 PRS	 RINA	 RMRS	Miscellaneous	Confirmation	Environmental Confirmations

other
Manufacturer Declaration

Further information

Information- and Downloadcenter (Catalogs, Brochures,...)

<http://www.siemens.com/lowvoltage/catalogs>

Industry Mall (Online ordering system)

<https://mall.industry.siemens.com/mall/en/en/Catalog/product?mlfb=3VL9400-3JM01>

Service&Support (Manuals, Certificates, Characteristics, FAQs,...)

<https://support.industry.siemens.com/cs/ww/en/ps/3VL9400-3JM01>

Image database (product images, 2D dimension drawings, 3D models, device circuit diagrams, ...)

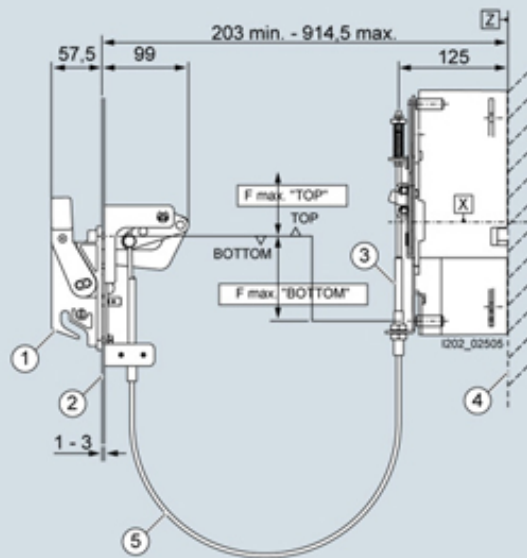
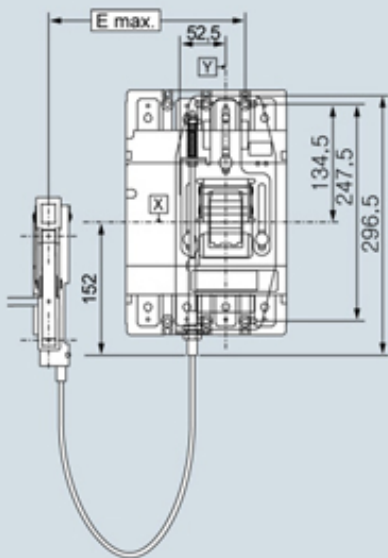
http://www.automation.siemens.com/bilddb/cax_en.aspx?mlfb=3VL9400-3JM01

CAX-Online-Generator

<http://www.siemens.com/cax>

Tender specifications

<http://www.siemens.com/specifications>



- ① Plastic handle (3VL9600-3JP01, 3VL9600-3JP11)
- ② Handle mounting surface
- ③ Max Flex operating mechanism (3VL9400-3JN01)
- ④ Installation level
- ⑤ Bowden wire

Cabinet depth mm	E max.		Cabinet depth mm	F max.			
	3VL9600-3JQ31 Length 900 mm	3VL9600-3JQ41 Length 1200 mm		3VL9600-3JQ31 Length 900 mm	BOTTOM	TOP	3VL9600-3JQ41 Length 1200 mm
203	10,7	22,7	203	106,5	393,5	406,5	686
254	10,5	22,6	254	132	381	419	686
305	10	22,3	305	152,5	373,5	432	680
406,5	7,9	21,3	406,5	114,5	360,5	419	673
457	6,1	20,5	457	86,5	325	406,5	647,5
508	3,2	19,6	508	15	254	393,5	622,5
609,5	--	16,9	609,5	--	--	355,5	571,5
762	--	9,9	762	--	--	221	442