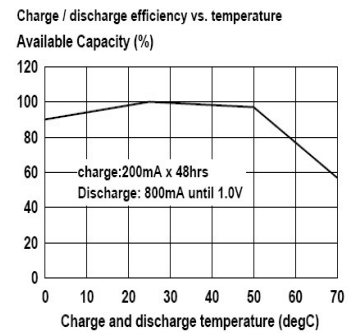
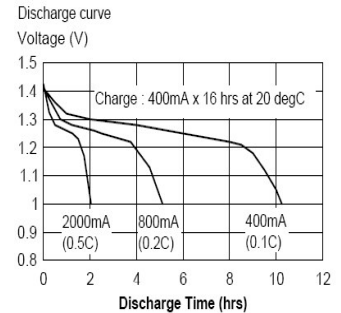


RS Components.

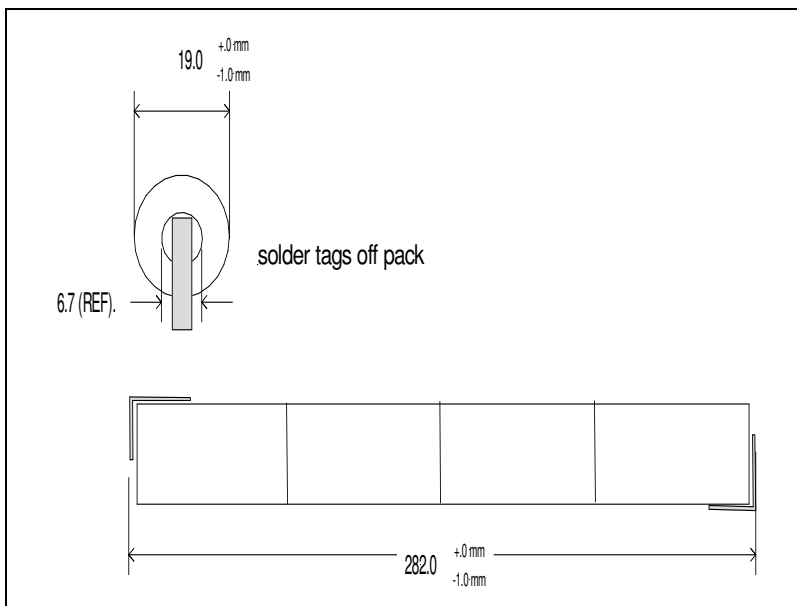
Battery data sheet

Model: 564-260

Type	High Temperature Rechargeable Nickel Metal Hydride Cylindrical Pack.
Nominal Dimensions (with sleeve)	$\varnothing = 19\text{ mm}$ H = 282 mm
Applications	Recommended discharge current 400mA to 2000mA
Nominal Voltage	4.8V
Nominal Capacity	Minimum: 4000mAh Typical : 4200mAh when discharge at 800mA To 4.0V at 20°C
Charging Condition	400mAh for 16 hrs at 20°C
Service life	>350 cycles (IEC61951-1)
Continuous Overcharge	Comply with IEC61951-1 Permanent charge Endurance Test
Weight	270g
Internal Resistance	Average 88m Ω upon fully charged (Range 76-100m Ω) at 1000Hz
Max: Charging Voltage	6.0V at 400mA charging
Ambient Temperature Range	Charging 0 to 70°C Discharge -20 to 70°C Storage -20 to 35°C Storage (1 week) -20 to 60°C



Based on a typical single cell



* The information (subject to change without prior notice) contained in this document is for reference, only and should not be used as the basis for product guarantee or warranty. For applications other than those described here, please consult your local sales office or distributor.

Manufacturer reserves the right to alter or amend the design, model and specification without prior notice.

Rev:1