

BALDOR® • RELIANCE 

Product Information Packet

IDM3661T

3HP, 1755RPM, 3PH, 60HZ, 184TC, 0632M, TEBC, F1

| Part Detail | | | | | | | |
|-------------|--------|-------------|------------|-------------|--------|---------------|------------|
| Revision: | F | Status: | PRD/A | Change #: | | Proprietary: | No |
| Type: | AC | Elec. Spec: | 06WGX181 | CD Diagram: | CD0005 | Mfg Plant: | |
| Mech. Spec: | 06F552 | Layout: | 06LYF552 | Poles: | 04 | Created Date: | 10-04-2011 |
| Base: | RG | Eff. Date: | 05-05-2015 | Leads: | 9#16 | | |

| Specs | | | |
|---------------------------------|-------------------------|--------------------------------|-----------------------|
| Catalog Number: | IDM3661T | Insulation Class: | H |
| Enclosure: | TEBC | Inverter Code: | Inverter Duty |
| Frame: | 184TC | KVA Code: | J |
| Frame Material: | Iron | Lifting Lugs: | Standard Lifting Lugs |
| Output @ Frequency: | 3.000 HP @ 60 HZ | Locked Bearing Indicator: | Locked Bearing |
| Synchronous Speed @ Frequency: | 1800 RPM @ 60 HZ | Motor Lead Quantity/Wire Size: | 9 @ 16 AWG |
| Voltage @ Frequency: | 230.0 V @ 60 HZ | Motor Lead Exit: | Ko Box |
| | 460.0 V @ 60 HZ | Motor Lead Termination: | Flying Leads |
| XP Class and Group: | None | Motor Type: | 0632M |
| XP Division: | Not Applicable | Mounting Arrangement: | F1 |
| Agency Approvals: | UR | Power Factor: | 77 |
| | CSA | Product Family: | General Purpose |
| Auxillary Box: | No Auxillary Box | Pulley End Bearing Type: | Ball |
| Auxillary Box Lead Termination: | None | Pulley Face Code: | C-Face |
| Base Indicator: | Rigid | Pulley Shaft Indicator: | Standard |
| Bearing Grease Type: | Polyrex EM (-20F +300F) | Rodent Screen: | None |
| Blower: | BLOWER | Shaft Extension Location: | Pulley End |
| Current @ Voltage: | 4.100 A @ 460.0 V | Shaft Ground Indicator: | No Shaft Grounding |

| | | | |
|---------------------------------------|---------------------------|------------------------------------|--------------------------------|
| | 8.200 A @ 230.0 V | Shaft Rotation: | Reversible: Connected Standard |
| Design Code: | B | Shaft Slinger Indicator: | No Slinger |
| Drip Cover: | No Drip Cover | Speed Code: | Single Speed |
| Duty Rating: | CONT | Motor Standards: | NEMA |
| Electrically Isolated Bearing: | Not Electrically Isolated | Starting Method: | Direct on line |
| Feedback Device: | NO FEEDBACK | Thermal Device - Bearing: | None |
| Front Face Code: | Encoder/Feedback Device | Thermal Device - Winding: | Normally Closed Thermostat |
| Front Shaft Indicator: | None | Vibration Sensor Indicator: | No Vibration Sensor |
| Heater Indicator: | No Heater | Winding Thermal 1: | None |
| | | Winding Thermal 2: | None |

| Nameplate NP1162L | |
|-------------------|----------------------|
| CAT NO | IDM3661T |
| SPEC. | 06F552X181G1 |
| FRAME | 184TC HP 3 TE |
| VOLTS | 230/460 |
| MAG CUR | 4.2/2.1 FLA 8.2/4.1 |
| RPM | 1755 RPM MAX 6000 |
| HZ | 60 PH 3 CLASS H |
| SER.F. | 1.00 DES B SL HZ 1.5 |
| NEMA-NOM-EFF | 89.5 WK2 0.3 |
| BLWR V | PH HZ A |
| RATING | 40C AMB-CONT |
| DE BRG | 6206 ODE BRG 6205 |
| CC | 010A SN |

| Parts List | | |
|-------------|---|----------|
| Part Number | Description | Quantity |
| SA231976 | SA 06F552X181G1 | 1.000 EA |
| RA218986 | RA 06F552X181G1 | 1.000 EA |
| HW3201A05 | 3/8-16 EYEBOLT | 1.000 EA |
| 06CB3000 | BALDOR CONDUIT BOX CAST | 1.000 EA |
| 06GS1000 | GASKET,CONDUIT BOX | 1.000 EA |
| 51XW2520A12 | SCREW, HEX SER SLT HD, ZN, 1/4-20 X .75 | 2.000 EA |
| 51XW2520A12 | .25-20 X .75, TAPTITE II, HEX WSHR SLTD | 2.000 EA |
| 11XW1032G06 | 10-32 X .38, TAPTITE II, HEX WSHR SLTD U | 1.000 EA |
| HW3001B01 | BRASS CUP WASHER, FOR #10 SCREW | 1.000 EA |
| 36EP1101B41 | FR TEBC 205 BRG W/ GR SR & THRU-SHAFT ENC | 1.000 EA |
| HW4500A01 | 1641B(ALEMITE)400 UNIV, GREASE FITT | 1.000 EA |
| HW5100A05 | WVY WSHR F/205 & 304 BRGS | 1.000 EA |
| 36PE1300A01 | PU ENDPLATE, MACH | 1.000 EA |
| HW4500A01 | 1641B(ALEMITE)400 UNIV, GREASE FITT | 1.000 EA |
| 10XN2520A26 | 1/4-20X 1 5/8 HEX HD | 4.000 EA |
| HW1001A25 | LOCKWASHER 1/4, ZINC PLT .493 OD, .255 I | 4.000 EA |
| HA3101A34 | THRUBOLT- 1/4-20 X 10.375 | 4.000 EA |
| 10XN2520A08 | 1/4-20X1/2 HEX HEAD CAP | 1.000 EA |
| HA3218A05 | M/FE STANDOFF UNIC#SX1043.25-20 .38 HEX | 3.000 EA |
| 10XN2520A06 | 1/4 20X3/8 HX HD CAP | 3.000 EA |
| HW1001A25 | LOCKWASHER 1/4, ZINC PLT .493 OD, .255 I | 3.000 EA |
| 06CB3500 | BALDOR CONDUIT BOX LID | 1.000 EA |
| 06GS1001 | BALDOR CONDUIT BOX GASKET | 1.000 EA |
| HA1005A03SP | SLINGER, OD 1.750, ID .938, 205 BRG | 1.000 EA |

| Parts List (continued) | | |
|------------------------|--|----------|
| Part Number | Description | Quantity |
| HW2501E16 | KEY, 1/4 SQ X 1.750 | 1.000 EA |
| HA7000A02 | KEY RETAINER RING, 1 1/8 DIA, 1 3/8 DIA | 1.000 EA |
| MJ5004A05 | #242-21 LOCTITE GENERAL PURPOSE MED. STR | 0.005 EA |
| 85XU0407S04 | 4X1/4 U DRIVE PIN STAINLESS | 2.000 EA |
| LB1115N | LABEL,LIFTING DEVICE (ON ROLLS) | 1.000 EA |
| LB1009N | LABEL,ROTATION DIRECTION (ON ROLLS) | 1.000 EA |
| MJ1000A02 | GREASE, MOBIL POLYREX EM - 124047 | 0.050 LB |
| 06FH5001A02 | BLOWER ASSY. 06FH4001, EF0001 | 1.000 EA |
| MG1000G27 | MED CHARCOAL METALLIC GREY 400-0096 | 0.028 GA |
| LC0035B01 | 1PH, SV, FIX, 2 LEAD | 1.000 EA |
| LB1119N | WARNING LABEL | 1.000 EA |
| LC0145B01 | CONNECTION LABEL | 1.000 EA |
| NP1162L | SS INV UL CSA CC | 1.000 EA |
| G0PA1000 | PKG GRP, PRINT PK1026A06 | 1.000 EA |
| MN416A01 | TAG-INSTAL-MAINT no wire (1200/bx) 3/19 | 1.000 EA |



AC Induction Motor Performance Data

Record # 36483

Typical performance - not guaranteed values

| | | |
|--------------------------|--------------------|------------------------|
| Winding: 06WGX181 | Type: 0632M | Enclosure: TEBC |
|--------------------------|--------------------|------------------------|

| Nameplate Data | | | General Characteristics at 460 V, 60 Hz: High Volt Connection | | |
|-------------------|--------------|----------|--|------------|--|
| Rated Output (HP) | 3 | | Full Load Torque | 9.06 LB-FT | |
| Volts | 230/460 | | Start Configuration | DOL | |
| Full Load Amps | 8.2/4.1 | | Break Down Torque | 33.1 LB-FT | |
| R.P.M. | 1755 | | Pull-Up Torque | 18.2 LB-FT | |
| Hz | 60 | Phase | Locked-rotor Torque | 20.4 LB-FT | |
| NEMA Design Code | B | KVA Code | Starting Current | 29.8 Amps | |
| Service Factor | 1 | | No-load Current | 2.14 Amps | |
| NEMA Nom. Eff. | 89.5 | P.F. | Line-line Res. @ 25°C. | 3.94 Ohms | |
| Rating - Duty | 40C AMB-CONT | | Temp. Rise @ Rated Load | 35°C | |
| S.F. Amps | | | Temp. Rise @ S.F. Load | | |

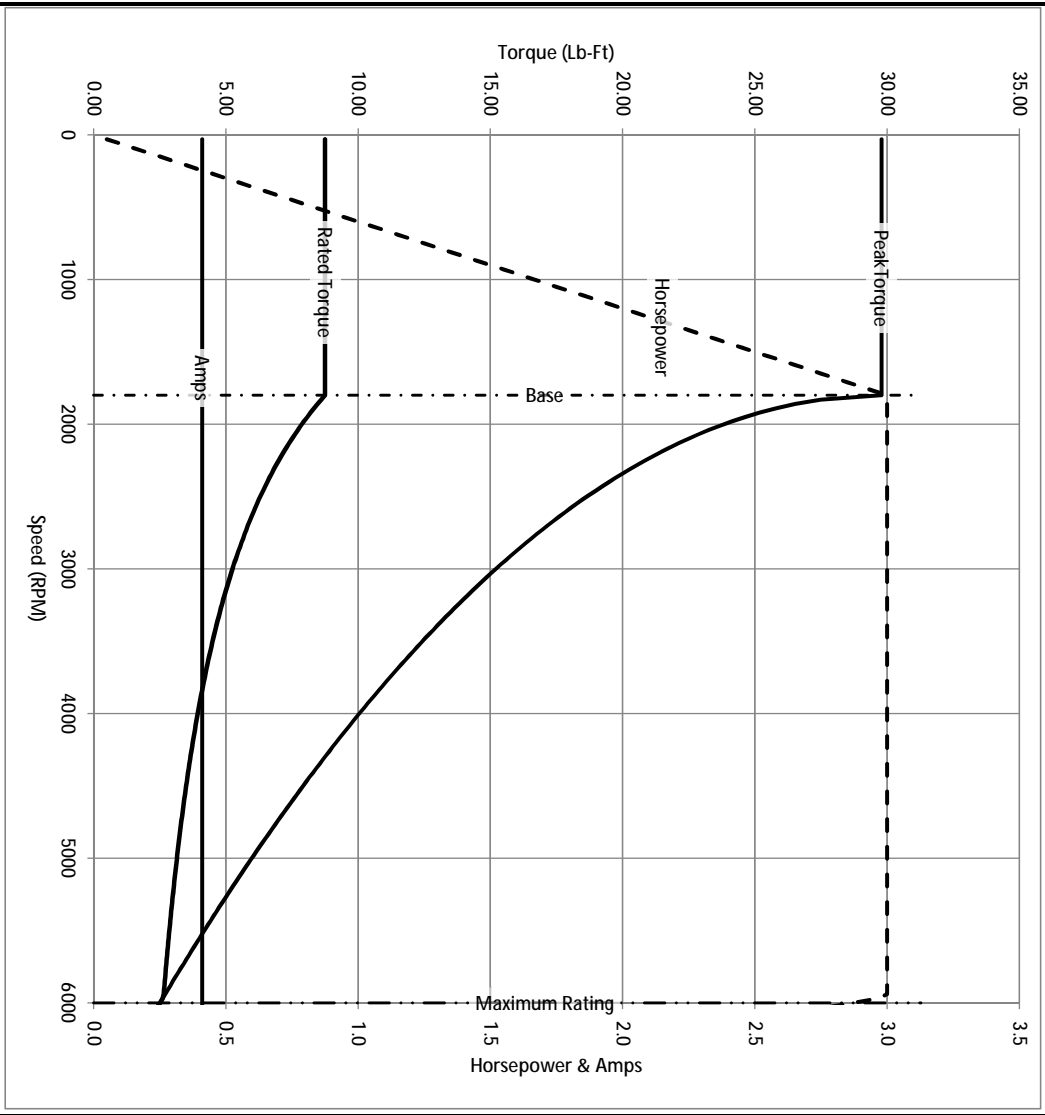
Load Characteristics at 460 Volts, 60 Hz, 3 HP

| % of Rated Load | 25 | 50 | 75 | 100 | 125 | 150 | S.F. |
|-----------------|------|------|------|------|------|------|------|
| Power Factor | 38 | 58 | 70 | 77 | 81 | 83 | |
| Efficiency | 83.2 | 88.3 | 89.8 | 89.7 | 89.1 | 87.7 | |
| Speed | 1790 | 1779 | 1769 | 1757 | 1744 | 1730 | |
| Line Amperes | 2.34 | 2.79 | 3.39 | 4.1 | 4.91 | 5.86 | |

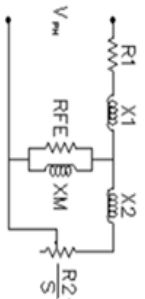
Baldor Electric Company Fort Smith, Arkansas



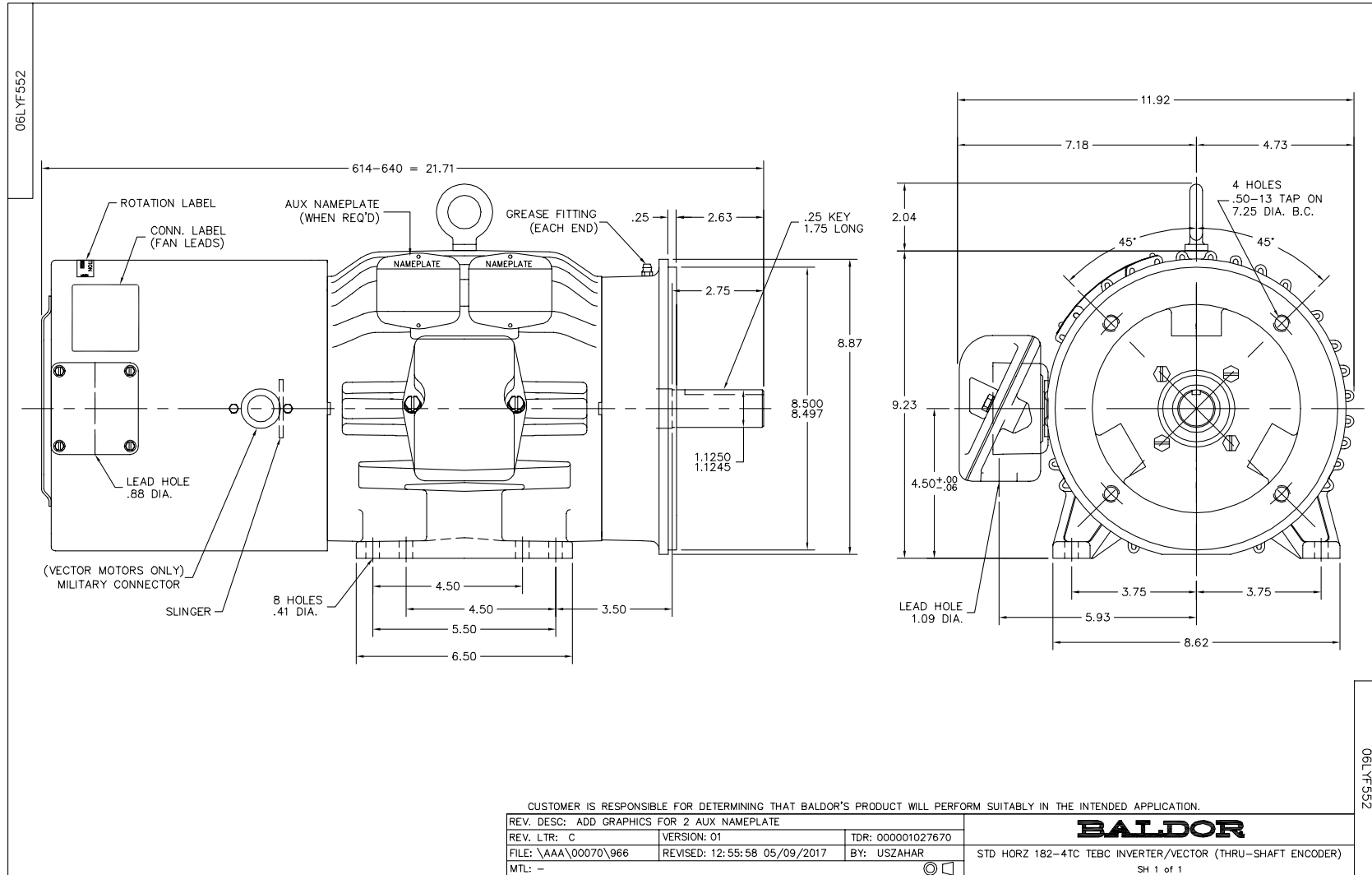
| | | | | | | | | | |
|------------|----------|---------------------------|---------|---------------------------------------|-------|---|-------|-----|---------|
| Catalog | IDM3661T | NIP VOLTS | 230/460 | ENCLOSURE | TEBC | WYE CONNECTION OHMS PER PHASE (BASE RATING, 200°) | | | |
| FRAME | 184TC | NIP AMPS | 8.2/4.1 | Base Volts | 460 | R1 | 1.930 | X1 | 5.490 |
| HP | 3 HP | DUTY | Cont | Base AMPS | 4.1 | R2 | 1.370 | X2 | 4.581 |
| BASE SPEED | 1800 | MAX SAFE RPM | 6000 | Slip Hz | 1.43 | | | XMI | 119.333 |
| PHASE/HZ | 3/60 | AMB ⁶ /C/INSUL | 40/H | WK ² (lb-ft ²) | 0.298 | | | | |



Remarks: Calculated Data



| | | | |
|----------------------------------|--------|-----------|---|
| <p>A MEMBER OF THE ABB GROUP</p> | DR BY | ENR | <p>A-C MOTOR PERFORMANCE CURVES</p> <p>06F552X181G1</p> |
| | CK BY | ENR | |
| | APP BY | ENR | ISSUE DATE |
| | DATE | 2/27/2013 | 2/27/2013 |



CD0005

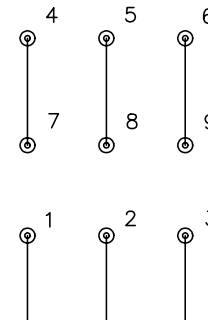


LOW VOLTAGE
(2Y)



LINE

HIGH VOLTAGE
(1Y)



LINE

NOTES:

1. INTERCHANGE ANY TWO LINE LEADS TO REVERSE ROTATION.
2. OPTIONAL THERMOSTATS ARE PROVIDED WHEN SPECIFIED.
3. ACTUAL NUMBER OF INTERNAL PARALLEL CIRCUITS MAY BE A MULTIPLE OF THOSE SHOWN ABOVE.
4. LEAD COLORS ARE OPTIONAL. LEADS MUST ALWAYS BE NUMBERED AS SHOWN.

| | | | |
|---|---------|-------------------------|--------------|
| REV. DESC: REVISE TO SHOW OPTIONAL COLORS | | | |
| REV. LTR: E | BY: JLP | REVISED: 01/19/99 10:15 | TDR: 0171435 |
| 90000 | | FILE: AAA00005140 | MDL: - |
| | | MTL: - | |

BALDOR ELECTRIC Co.

3PH, DV, 9 LEADS

CD0005