



ENGLISH

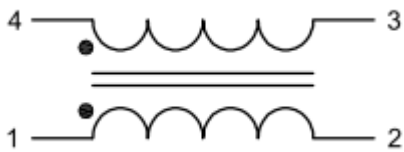
## Datasheet

Stock No: 123-4270

# RS Pro

Product Description: Common mode choke 2x 1.0mH / 2 Amps

### Schematic :



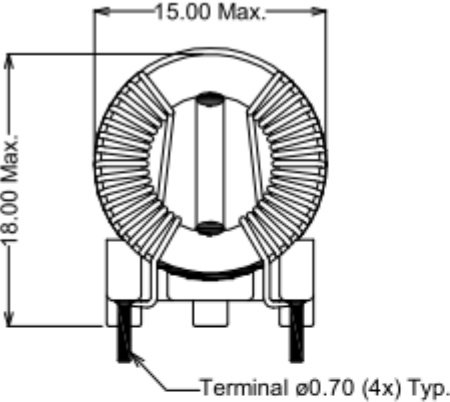
### Electrical Specifications@25°C

- 1)  $L_p : (1-2)=(4-3) = 1.0\text{mH} \pm 30\% @ 10\text{KHz}/0.1\text{mA}$
- 2)  $\text{DCR} : (1-2)=(4-3) = 45 \text{ m}\Omega \text{ (Max.)}$
- 3) Turns Ratio (1-2) : (4-3) = 1 : 1
- 4) Rated Current = 2 Amps (Max.)
- 5) Rated Voltage = 250 V / 50Hz (Max.)
- 6) H.V. Test :  
Wdg - Wdg = 1.50 KVrms / 50Hz / 2sec

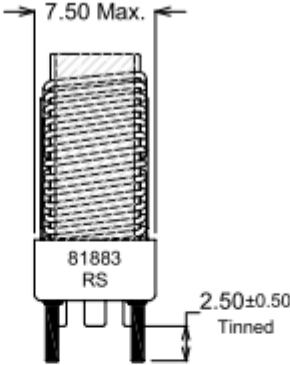


ENGLISH

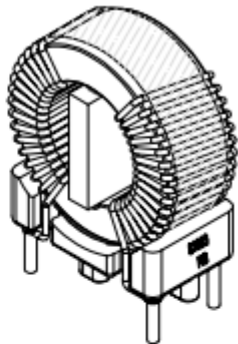
Mechanical Specification :



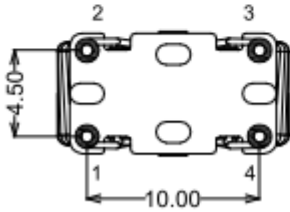
**FRONT VIEW**



**SIDE VIEW**



**ISOMETRIC VIEW**



**BOTTOM VIEW**

Unit : mm	Dimension tolerance : ±0.25mm (Unless specified)	Pin pitch tolerance : ±0.20mm
-----------	--	-------------------------------

