

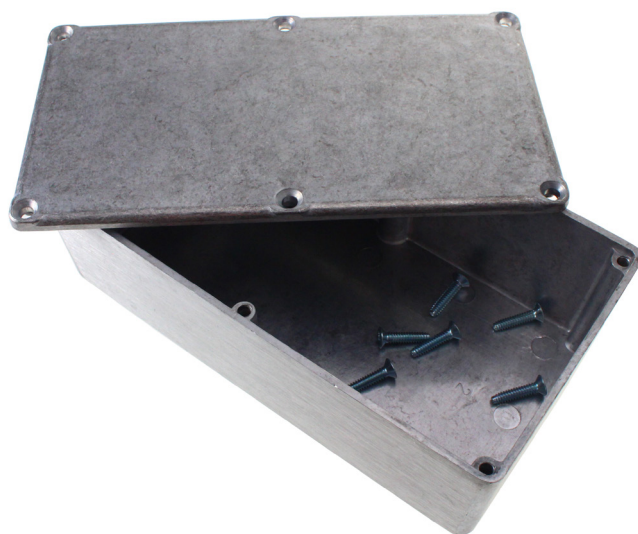
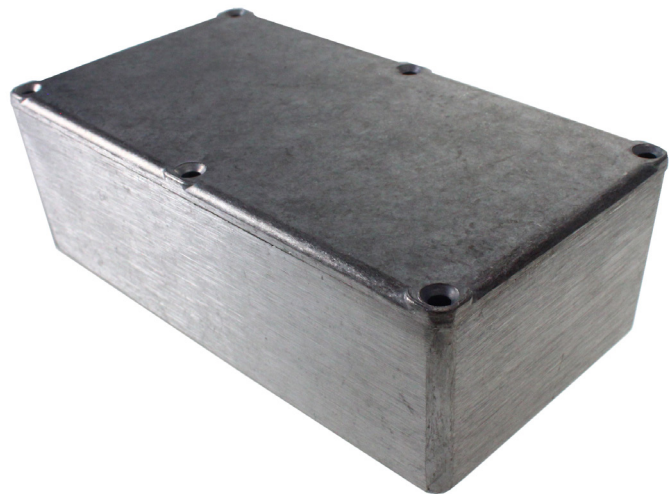
# Datasheet

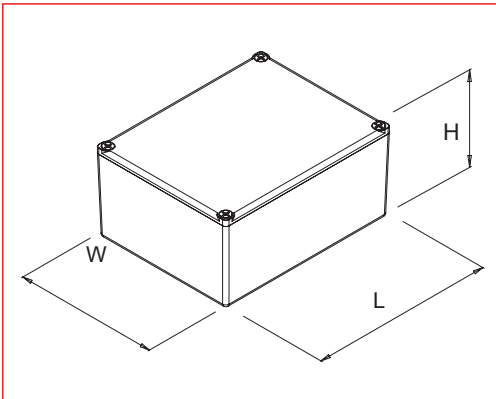
EN

## Product overview

Economy aluminium diecast boxes. Ideal for RF circuit designs and mounting pneumatic or hydraulic equipment.

- Diecast aluminum
- Temperature resistance to 300°C
- Material functions as a screening layer and heatsink
- Robust and light weight
- Easily machined and customised
- Smooth surface and edges
- Close fitted flanged lids using self tapping screws
- 5100 series has been designed to meet the requirements of IP54





SPECIFICATION	
Materials	Diecast aluminium BS 1490 LM24
Standard colours	Natural finish as standard Hammerstone and powder coating optional
Protection class	5100 series has been designed to meet the requirements of IP54
Standard unit includes	Base, lid and 4x self-tapping screws

NATURAL RAL	LENGTH	WIDTH	HEIGHT
1610921	110mm	82mm	44mm
1610923	119mm	94mm	34mm
1610922	121mm	80mm	60mm
1610924	121mm	121mm	60mm
1610925	121mm	121mm	96mm
1610926	152mm	82mm	51mm
1610927	187mm	119mm	38mm
1610919	187mm	119mm	56mm
1610920	187mm	119mm	82mm
1610928	190mm	190mm	67mm

