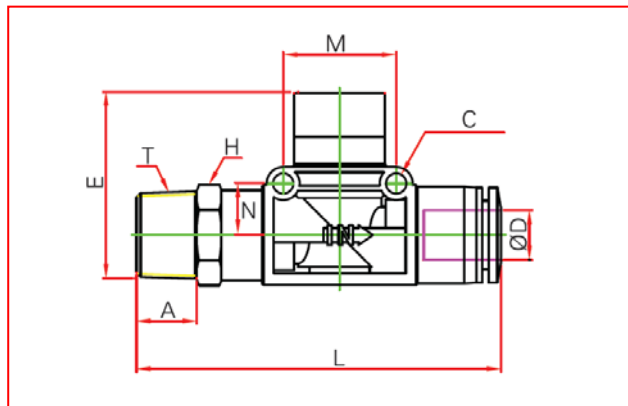




ENGLISH

Datasheet

RS PRO Thread Fitting



| RS Article | ØD | L | E | M | N | C | T | A | H(HEX) |
|------------|----|------|------|----|----|-----|--------|----|--------|
| 1442676 | 4 | 59.8 | 37.5 | 19 | 8 | 3.5 | PT 1/8 | 8 | 12 |
| 1442677 | 4 | 62 | 37.5 | 19 | 8 | 3.5 | PT 1/4 | 10 | 14 |
| 1442678 | 6 | 59.8 | 37.5 | 19 | 8 | 3.5 | PT 1/8 | 8 | 12 |
| 1442679 | 6 | 62 | 37.5 | 19 | 8 | 3.5 | PT 1/4 | 10 | 14 |
| 1442680 | 8 | 60 | 37.5 | 19 | 8 | 3.5 | PT 1/8 | 8 | 12 |
| 1442681 | 8 | 62.5 | 37.5 | 19 | 8 | 3.5 | PT 1/4 | 10 | 14 |
| 1442682 | 10 | 78 | 40.5 | 24 | 11 | 3.5 | PT 1/4 | 10 | 17 |
| 1442683 | 10 | 79 | 40.5 | 24 | 11 | 3.5 | PT 3/8 | 11 | 17 |
| 1442684 | 12 | 79.3 | 40.5 | 24 | 11 | 3.5 | PT 3/8 | 11 | 17 |
| 1442685 | 12 | 82.8 | 40.5 | 24 | 11 | 3.5 | PT 1/2 | 14 | 21 |