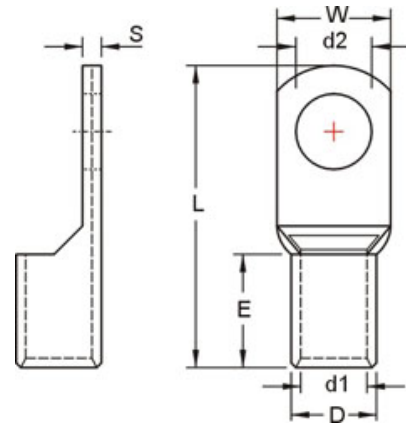


## Datasheet

# RS Pro Non-Insulated Copper Tubular Lugs (TL Series)

Stock Number: 125-1961



WIRE RANGE A.W.G. / mm <sup>2</sup>	ITEM NO.	STUID SIZE d2		DIMENSION inch(mm)						Q'TY BOX
				W	d1	D	L	E	S	
4 A.W.G.	TL25-10	3/8	10.5	15.0	7.0	9.0	33.0	12.0	1.65	200
25 mm <sup>2</sup>										

### Maximum Electric Current:

A.W.G.	4
AMP.	125

**Terminal Material:** Copper