

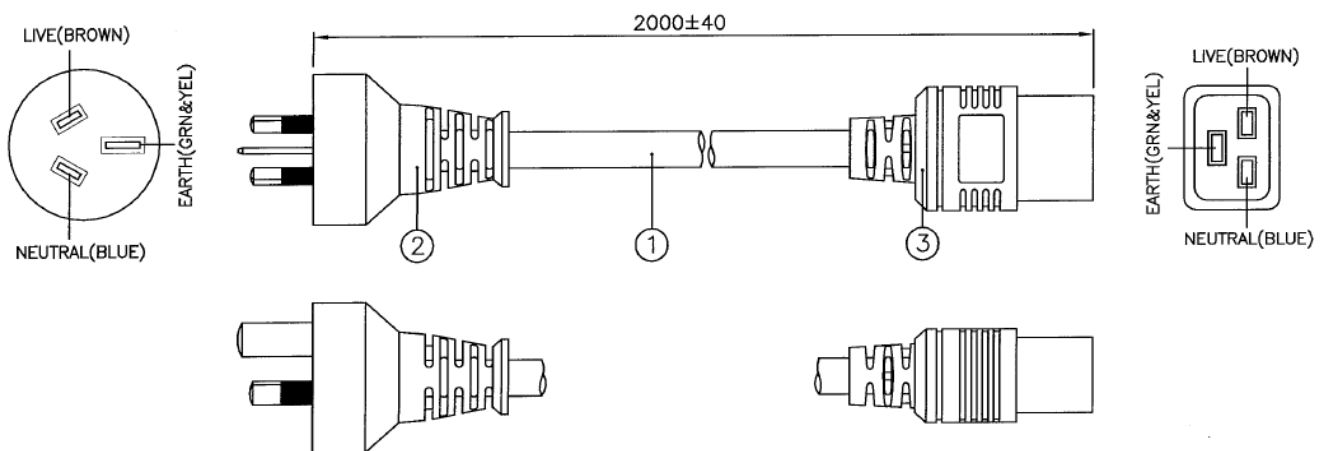
Datasheet

Australian/New Zealand Power Supply Cordset

RS Stock number 909-2200

Note:

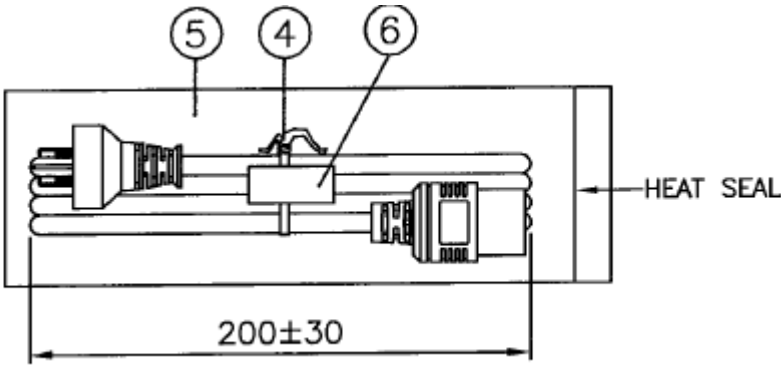
- All dimensions in mm.
- The cord shall comply with AS/NZS 3191.
- The molded plug shall comply with AS/NZS 3112.
- The molded connector shall comply with AS/NZS 60320-1



S/N	Description	Item Number	Qty.
1	Circular ordinary V-75 3x1.50 blk LF	1320094	1
2	Molded Plug AU15S3 (15A 250V)	AU15S3-1	1
	IP60G NL7976B blk	4100115	-
3	Molded connector VSC19 (16A 250V)	VSC19-BKT	1
	IP60G NL7976B blk	4100115	-

APPROVED SOURCE FOR CABLE

- 1. BAO HING(SHENZHEN).
- 2. TONG YUAN(SHENZHEN).



S/N	Description	Item Number	Qty.
4	6" PE Tie blk	6310056	1
5	Bag LDPE 283x114x0.05	904028	1
6	Printed label	VL-0538	1