



Datasheet

ENGLISH

Stock No: 835-4096

RS Pro PG11 Brass Cable Gland With Locknut



5 → 10mm Cable Dia Range, IP68

Specifications:

Material: Brass Nickel Plated

Sealing: Nitrile Butadiene Rubber

Temperature: $-40^{\circ}\text{C} \sim +110^{\circ}\text{C}$.
Short Time $+120^{\circ}\text{C}$

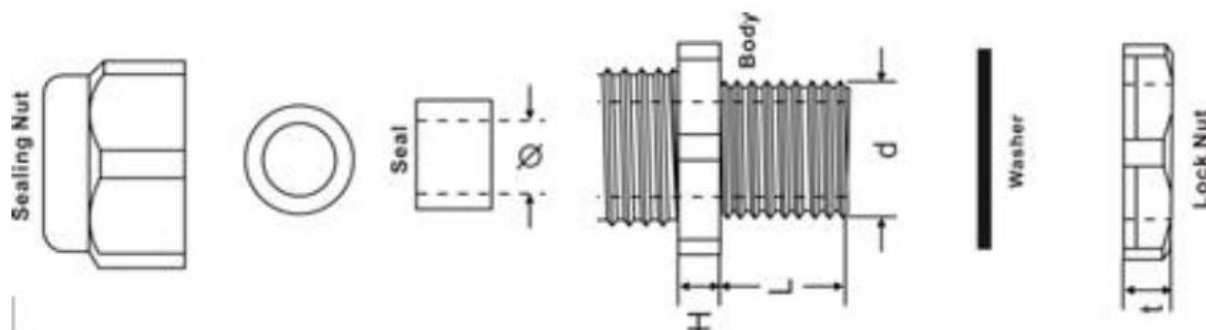
Standards: RoHS, CE, IP68

Supplied with Locknut



Features:

EMC Brass Cable Gland that is designed for use with unarmoured, elasto and plastic or braided cables. The gland can be used to establish a continuous electrical path from the shield of the cable to the equipment ground, creating a secure shield connection. It's easy to install and allows the cable to be centralised, provides strain relief and seals from moisture and dust in accordance to IP68.

Dimensions:
EMC Brass Cable Gland With Locknut


RS Article	SIZE	Cable Range(Φ) (MM)	d (MM)	L (MM)	H (MM)	PCS/PACK
8354119	M16×1.5	4—8	16	6	18	1
8354112	M20×1.5	6—12	20	7	22	1
8354116	M25×1.5	10—16	25	9	27	1
8354125	M32×1.5	15—22	32	9	35	1
8354128	M40×1.5	21—30	40	11	45	1
8354122	M50×1.5	30—38	50	11	57	1
8354087	PG9	4—8	15.2	6	17	1
8354096	PG11	5—10	18.6	6	20	1
8354099	PG13.5	6—12	20.4	7	22	1
8354093	PG16	8—14	22.5	10	24	1
8354103	PG21	13—18	28.3	8	30	1
8354106	PG29	18—25	37	11	40	1
8354100	PG36	22—32	47	9	50	1

Brass Locknut

RS CODE	SIZE (AG)	Spanner Size (MM)	Thickness (t)
8354119	M16×1.5	18	2.2
8354112	M20×1.5	22	3
8354116	M25×1.5	27	3
8354125	M32×1.5	35	3.5
8354128	M40×1.5	50	4.5
8354122	M50×1.5	57	5
8354087	PG9	18	2.5
8354096	PG11	21	3
8354099	PG13.5	23	3
8354093	PG16	27	3
8354103	PG21	30	3.5
8354106	PG29	40	4
8354100	PG36	50	4.5

