

**BALDOR® • RELIANCE** 

**Product Information Packet**

**EM3611T**

**3HP,1760RPM,3PH,60HZ,182T,3632M,TEFC,F1**

| Part Detail |        |             |            |             |        |               |            |
|-------------|--------|-------------|------------|-------------|--------|---------------|------------|
| Revision:   | H      | Status:     | PRD/A      | Change #:   |        | Proprietary:  | No         |
| Type:       | AC     | Elec. Spec: | 36WGS266   | CD Diagram: | CD0005 | Mfg Plant:    |            |
| Mech. Spec: | 36Q570 | Layout:     | 36LYQ570   | Poles:      | 04     | Created Date: | 09-02-2015 |
| Base:       | RG     | Eff. Date:  | 07-19-2017 | Leads:      | 9#16   |               |            |

| Specs                           |                         |                                |                       |
|---------------------------------|-------------------------|--------------------------------|-----------------------|
| Catalog Number:                 | EM3611T                 | Heater Indicator:              | No Heater             |
| Enclosure:                      | TEFC                    | Insulation Class:              | F                     |
| Frame:                          | 182T                    | Inverter Code:                 | Inverter Ready        |
| Frame Material:                 | Steel                   | KVA Code:                      | K                     |
| Output @ Frequency:             | 3.000 HP @ 60 HZ        | Lifting Lugs:                  | Standard Lifting Lugs |
| Synchronous Speed @ Frequency:  | 1800 RPM @ 60 HZ        | Locked Bearing Indicator:      | No Locked Bearing     |
| Voltage @ Frequency:            | 460.0 V @ 60 HZ         | Motor Lead Quantity/Wire Size: | 9 @ 16 AWG            |
|                                 | 230.0 V @ 60 HZ         | Motor Lead Exit:               | Ko Box                |
| XP Class and Group:             | None                    | Motor Lead Termination:        | Flying Leads          |
| XP Division:                    | Not Applicable          | Motor Type:                    | 3632M                 |
| Agency Approvals:               | UR                      | Mounting Arrangement:          | F1                    |
|                                 | CSA EEV                 | Power Factor:                  | 75                    |
|                                 | CSA                     | Product Family:                | General Purpose       |
| Auxillary Box:                  | No Auxillary Box        | Pulley End Bearing Type:       | Ball                  |
| Auxillary Box Lead Termination: | None                    | Pulley Face Code:              | Standard              |
| Base Indicator:                 | Rigid                   | Pulley Shaft Indicator:        | Standard              |
| Bearing Grease Type:            | Polyrex EM (-20F +300F) | Rodent Screen:                 | None                  |
| Blower:                         | None                    | Shaft Extension Location:      | Pulley End            |

|                                       |                           |                                    |                     |
|---------------------------------------|---------------------------|------------------------------------|---------------------|
| <b>Current @ Voltage:</b>             | 4.200 A @ 460.0 V         | <b>Shaft Ground Indicator:</b>     | No Shaft Grounding  |
|                                       | 8.400 A @ 230.0 V         | <b>Shaft Rotation:</b>             | Reversible          |
|                                       | 9.000 A @ 208.0 V         | <b>Shaft Slinger Indicator:</b>    | No Slinger          |
| <b>Design Code:</b>                   | B                         | <b>Speed Code:</b>                 | Single Speed        |
| <b>Drip Cover:</b>                    | No Drip Cover             | <b>Motor Standards:</b>            | NEMA                |
| <b>Duty Rating:</b>                   | CONT                      | <b>Starting Method:</b>            | Direct on line      |
| <b>Electrically Isolated Bearing:</b> | Not Electrically Isolated | <b>Thermal Device - Bearing:</b>   | None                |
| <b>Feedback Device:</b>               | NO FEEDBACK               | <b>Thermal Device - Winding:</b>   | None                |
| <b>Front Face Code:</b>               | Standard                  | <b>Vibration Sensor Indicator:</b> | No Vibration Sensor |
| <b>Front Shaft Indicator:</b>         | None                      | <b>Winding Thermal 1:</b>          | None                |
|                                       |                           | <b>Winding Thermal 2:</b>          | None                |

|                                  |                            |  |             |            |                       |    |  |              |           |   |
|----------------------------------|----------------------------|--|-------------|------------|-----------------------|----|--|--------------|-----------|---|
| <b>Nameplate NP3441LUA</b>       |                            |  |             |            |                       |    |  |              |           |   |
| <b>CAT.NO.</b>                   | EM3611T                    |  |             |            |                       |    |  |              |           |   |
| <b>SPEC</b>                      | 36Q570S266G1               |  |             |            |                       |    |  |              |           |   |
| <b>HP</b>                        | 3                          |  |             |            |                       |    |  |              |           |   |
| <b>VOLTS</b>                     | 230/460                    |  |             |            |                       |    |  |              |           |   |
| <b>AMPS</b>                      | 8.4/4.2                    |  |             |            |                       |    |  |              |           |   |
| <b>RPM</b>                       | 1760                       |  |             |            |                       |    |  |              |           |   |
| <b>FRAME</b>                     | 182T                       |  |             |            | <b>HZ</b>             | 60 |  |              | <b>PH</b> | 3 |
| <b>SF</b>                        | 1.15                       |  | <b>CODE</b> | K          | <b>DES</b>            | B  |  | <b>CLASS</b> | F         |   |
| <b>NEMA NOM. EFF</b>             | 89.5                       |  | <b>PF</b>   | 75         |                       |    |  |              |           |   |
| <b>RATING</b>                    | 40C AMB-CONT               |  |             |            |                       |    |  |              |           |   |
| <b>CC</b>                        | 010A                       |  |             |            | <b>USABLE AT 208V</b> |    |  |              |           | 9 |
| <b>ENCL</b>                      | TEFC                       |  | <b>SER</b>  |            |                       |    |  |              |           |   |
| <b>DE</b>                        | 6206                       |  |             | <b>ODE</b> | 6205                  |    |  |              |           |   |
| <b>VPWM INVERTER READY</b>       |                            |  |             |            |                       |    |  |              |           |   |
| <b>CT6-60H(10:1)VT3-60H(20:1</b> |                            |  |             |            |                       |    |  |              |           |   |
|                                  | 50Hz 3HP 190/380V 9.6/4.8A |  |             |            |                       |    |  |              | SF1.0     |   |

| Parts List    |  |          |
|---------------|--|----------|
| Part Number   | Description                              | Quantity |
| SA306708      | SA 36Q570S266G1                          | 1.000 EA |
| RA293966      | RA 36Q570S266G1                          | 1.000 EA |
| 36FN3000C01SP | EXFN, PLASTIC, 5.25 OD, .912 ID          | 1.000 EA |
| 36CB3004      | 36 CB CASTING W/1.09 DIA LEAD HOLE @ 6:0 | 1.000 EA |
| 36GS1000SP    | GASKET-CONDUIT BOX, .06 THICK #SV-330 LE | 1.000 EA |
| 51XB1016A08   | 10-16X 1/2HXWSSLD SERTYB                 | 2.000 EA |
| 11XW1032G06   | 10-32 X .38, TAPTITE II, HEX WSHR SLTD U | 1.000 EA |
| 36EP3104A01   | FREP MACH ASSEMBLY FOR ROUTING           | 1.000 EA |
| HW4500A01     | 1641B(ALEMITE)400 UNIV, GREASE FITT      | 1.000 EA |
| HW5100A05     | WVY WSHR F/205 & 304 BRGS                | 1.000 EA |
| 36EP3100A01SP | PUEP ASSEMBLY FOR ROUTING PURPOSES       | 1.000 EA |
| HW4500A01     | 1641B(ALEMITE)400 UNIV, GREASE FITT      | 1.000 EA |
| XY2520A12     | 1/4-20 HEX NUT, DIRECTIONAL SERRATIONS   | 4.000 EA |
| 36FH4009A102  | IEC FH GREASER PRIMED                    | 1.000 EA |
| 51XW1032A06   | 10-32 X .38, TAPTITE II, HEX WSHR SLTD S | 3.000 EA |
| 36CB4516      | 36 LIPPED CB LID - GALVANNEAL            | 1.000 EA |
| 37GS1001SP    | GASKET, CONDUIT BOX LID, .06 THICK LEXID | 1.000 EA |
| 51XW0832A07   | 8-32 X .44, TAPTITE II, HEX WSHR SLTD SE | 4.000 EA |
| HW2501E16     | KEY, 1/4 SQ X 1.750                      | 1.000 EA |
| HA7000A02     | KEY RETAINER RING, 1 1/8 DIA, 1 3/8 DIA  | 1.000 EA |
| 85XU0407S04   | 4X1/4 U DRIVE PIN STAINLESS              | 2.000 EA |
| HW3200A01     | 3/8-16X3/4 I-BLT WELDED F/S              | 1.000 EA |
| MJ1000A02     | GREASE, MOBIL POLYREX EM - 124047        | 0.050 LB |
| 51XB1214A16   | 12-14X1.00 HXWSSLD SERTYB                | 1.000 EA |

| <b>Parts List (continued)</b> |  |                 |
|-------------------------------|--|-----------------|
| <b>Part Number</b>            | <b>Description</b>                       | <b>Quantity</b> |
| HA3101A25                     | THRUBOLT 1/4-20 X 11.000 OHIO ROD        | 4.000 EA        |
| MG1000Y03                     | MUNSELL 2.53Y 6.70/ 4.60, GLOSS 20,      | 0.022 GA        |
| LB1115N                       | LABEL,LIFTING DEVICE (ON ROLLS)          | 1.000 EA        |
| LC0005E01                     | CONN.DIA./WARNING LABEL (LC0005/LB1119N) | 1.000 EA        |
| NP3441LUA                     | ALUM SUPER-E VPWM INV READY UL CSA-EEV C | 1.000 EA        |
| 36PA1001                      | PKG GRP, PRINT PK1017A06                 | 1.000 EA        |
| MN416A01                      | TAG-INSTAL-MAINT no wire (1200/bx) 3/19  | 1.000 EA        |

| <b>Accessories</b> |   |                   |
|--------------------|---|-------------------|
| <b>Part Number</b> | <b>Description</b>                      | <b>Multiplier</b> |
| 36-3301            | C FACE KIT                              | A8                |
| 36EP1304A62SP      | FLANGE MTD ENDPLATE 182-4TD -ENCL (LESS | A8                |

**AC Induction Motor Performance Data**

Record # 53364 - Typical performance - not guaranteed values

|                               |                    |                        |
|-------------------------------|--------------------|------------------------|
| <b>Winding:</b> 36WGS266-R006 | <b>Type:</b> 3632M | <b>Enclosure:</b> TEFC |
|-------------------------------|--------------------|------------------------|

| Nameplate Data        |              |              |    | 460 V, 60 Hz:<br>High Voltage Connection |                          |
|-----------------------|--------------|--------------|----|--|--------------------------|
| Rated Output (HP)     | 3            |              |    | Full Load Torque                         | 8.8 LB-FT                |
| Volts                 | 230/460      |              |    | Start Configuration                      | direct on line           |
| Full Load Amps        | 8.4/4.2      |              |    | Breakdown Torque                         | 37.6 LB-FT               |
| R.P.M.                | 1760         |              |    | Pull-up Torque                           | 15.2 LB-FT               |
| Hz                    | 60           | Phase        | 3  | Locked-rotor Torque                      | 21.7 LB-FT               |
| NEMA Design Code      | B            | KVA Code     | K  | Starting Current                         | 32.7 A                   |
| Service Factor (S.F.) | 1.15         |              |    | No-load Current                          | 2.3 A                    |
| NEMA Nom. Eff.        | 89.5         | Power Factor | 75 | Line-line Res. @ 25°C                    | 3.81 Ω                   |
| Rating - Duty         | 40C AMB-CONT |              |    | Temp. Rise @ Rated Load                  | 44°C                     |
| S.F. Amps             |              |              |    | Temp. Rise @ S.F. Load                   | 52°C                     |
|                       |              |              |    | Locked-rotor Power Factor                | 42.2                     |
|                       |              |              |    | Rotor inertia                            | 0.298 LB-FT <sup>2</sup> |

Load Characteristics 460 V, 60 Hz, 3 HP

| % of Rated Load | 25   | 50   | 75   | 100  | 125  | 150  | S.F. |
|-----------------|------|------|------|------|------|------|------|
| Power Factor    | 35   | 55   | 68   | 75   | 80   | 82   | 77   |
| Efficiency      | 81.1 | 87.8 | 89.6 | 89.8 | 89.7 | 88.2 | 89.2 |
| Speed           | 1791 | 1783 | 1773 | 1764 | 1753 | 1741 | 1754 |
| Line amperes    | 2.47 | 2.85 | 3.43 | 4.09 | 4.89 | 5.78 | 4.63 |



Performance Graph at 460V, 60Hz, 3.0HP Typical performance - Not guaranteed values

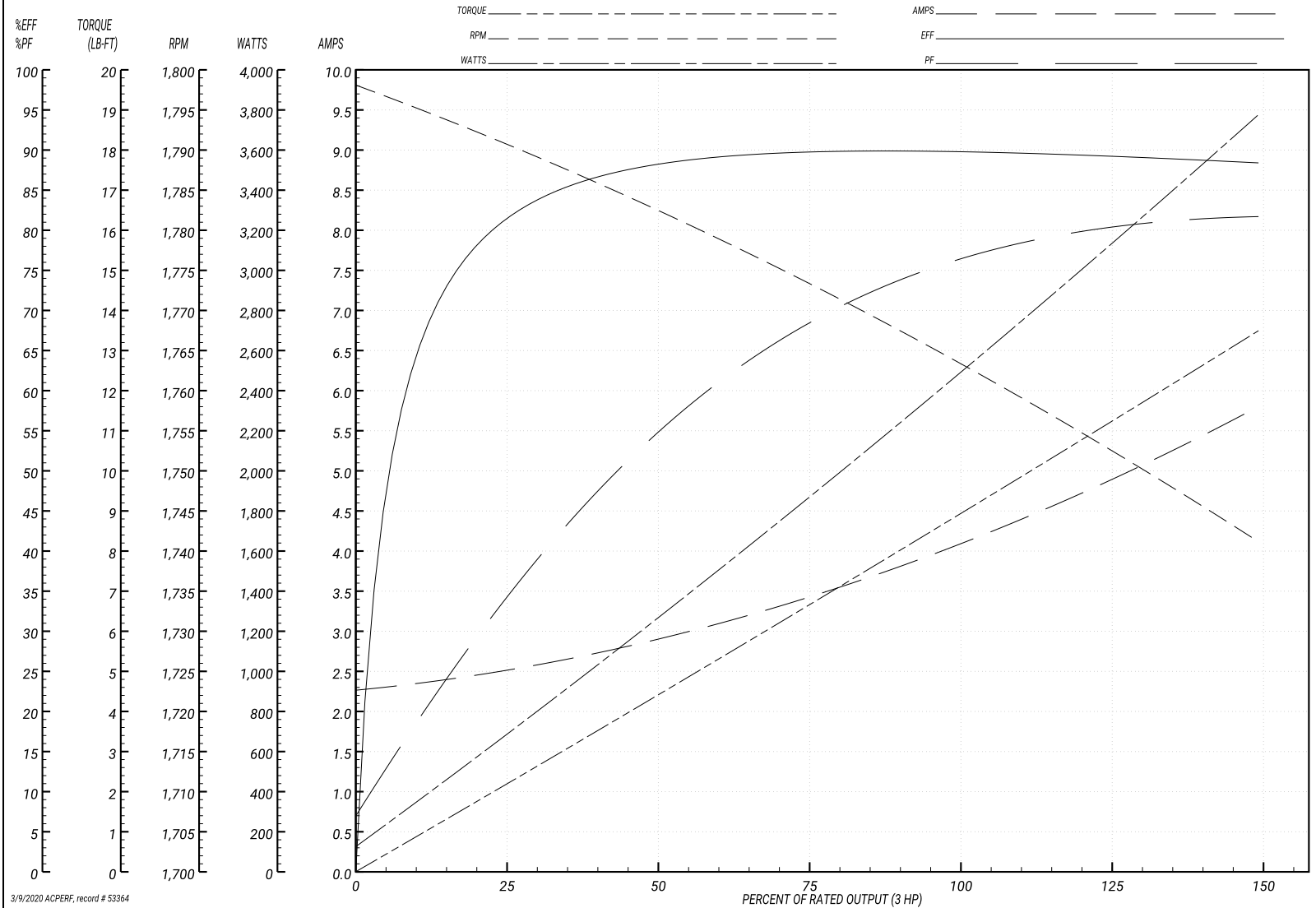
ABB Motors and Mechanical Inc.

WINDING # 36WGS266

Typical performance - not guaranteed values.

3 HP 3 PH 60 HZ 1760 RPM 460 V 3632M

TORQUES(LB-FT): PO=37.6 PU=15.2 LR=21.7 LRA=32.7



3/9/2020 ACPERF, record # 53364

**AC Induction Motor Performance Data**

Record # 57957 - Typical performance - not guaranteed values

|                               |                    |                        |
|-------------------------------|--------------------|------------------------|
| <b>Winding:</b> 36WGS266-R006 | <b>Type:</b> 3632M | <b>Enclosure:</b> TEFC |
|-------------------------------|--------------------|------------------------|

| Nameplate Data        |              |              |    | 230 V, 60 Hz:<br>Low Voltage Connection |                          |
|-----------------------|--------------|--------------|----|---|--------------------------|
| Rated Output (HP)     | 3            |              |    | Full Load Torque                        | 8.8 LB-FT                |
| Volts                 | 230/460      |              |    | Start Configuration                     | direct on line           |
| Full Load Amps        | 8.4/4.2      |              |    | Breakdown Torque                        | 37.6 LB-FT               |
| R.P.M.                | 1760         |              |    | Pull-up Torque                          | 15.2 LB-FT               |
| Hz                    | 60           | Phase        | 3  | Locked-rotor Torque                     | 21.7 LB-FT               |
| NEMA Design Code      | B            | KVA Code     | K  | Starting Current                        | 65.4 A                   |
| Service Factor (S.F.) | 1.15         |              |    | No-load Current                         | 4.6 A                    |
| NEMA Nom. Eff.        | 89.5         | Power Factor | 75 | Line-line Res. @ 25°C                   | 0.953 Ω                  |
| Rating - Duty         | 40C AMB-CONT |              |    | Temp. Rise @ Rated Load                 | 44°C                     |
| S.F. Amps             |              |              |    | Temp. Rise @ S.F. Load                  | 52°C                     |
|                       |              |              |    | Locked-rotor Power Factor               | 42.2                     |
|                       |              |              |    | Rotor inertia                           | 0.298 LB-FT <sup>2</sup> |

Load Characteristics 230 V, 60 Hz, 3 HP

| % of Rated Load | 25   | 50   | 75   | 100  | 125  | 150  | S.F. |
|-----------------|------|------|------|------|------|------|------|
| Power Factor    | 35   | 55   | 68   | 75   | 80   | 82   | 78   |
| Efficiency      | 81.1 | 87.8 | 89.6 | 89.8 | 89.7 | 88.2 | 89.7 |
| Speed           | 1791 | 1783 | 1773 | 1764 | 1753 | 1741 | 1757 |
| Line amperes    | 4.94 | 5.7  | 6.86 | 8.18 | 9.78 | 11.6 | 9.14 |

Performance Graph at 230V, 60Hz, 3.0HP Typical performance - Not guaranteed values

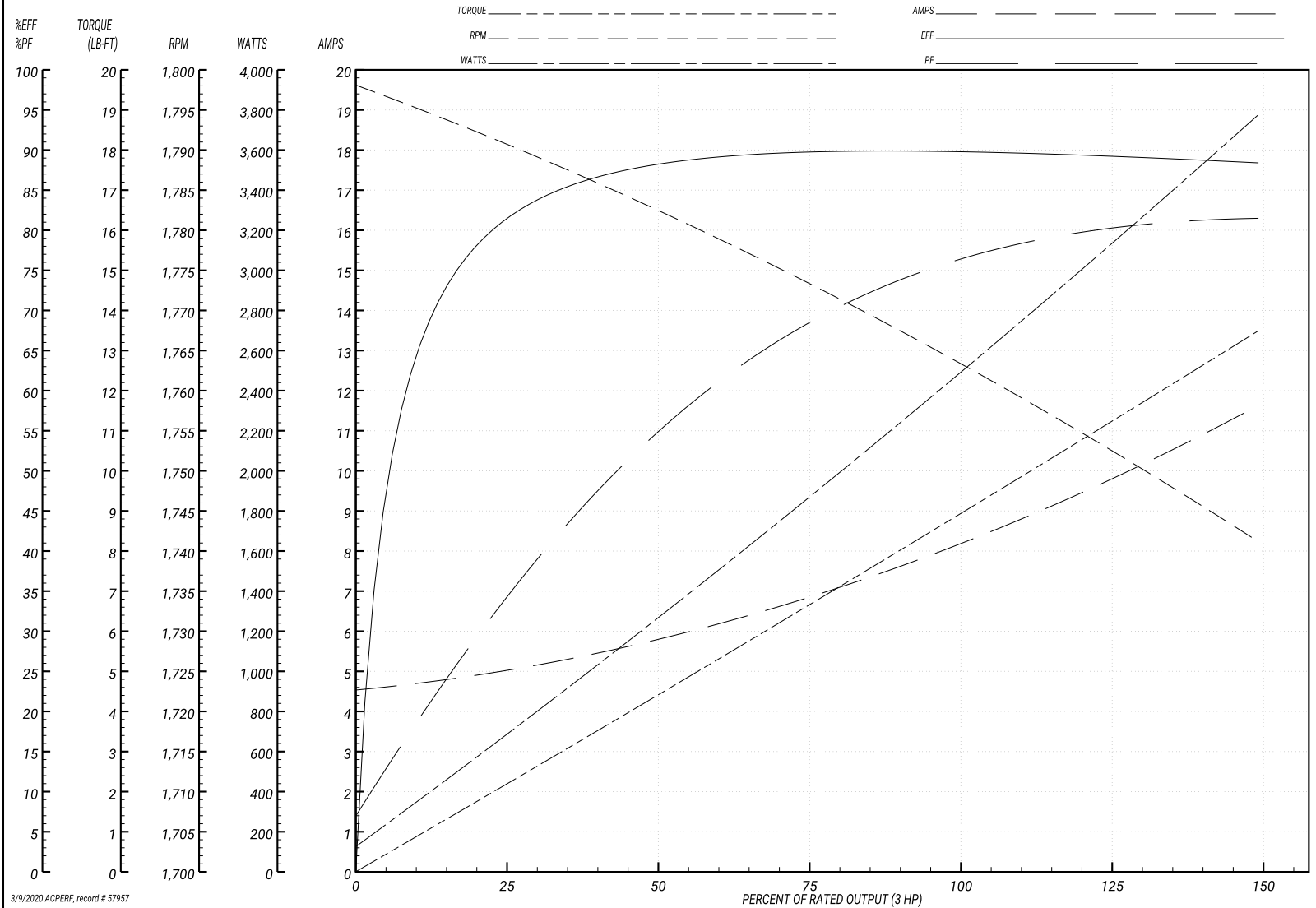
ABB Motors and Mechanical Inc.

WINDING # 36WGS266

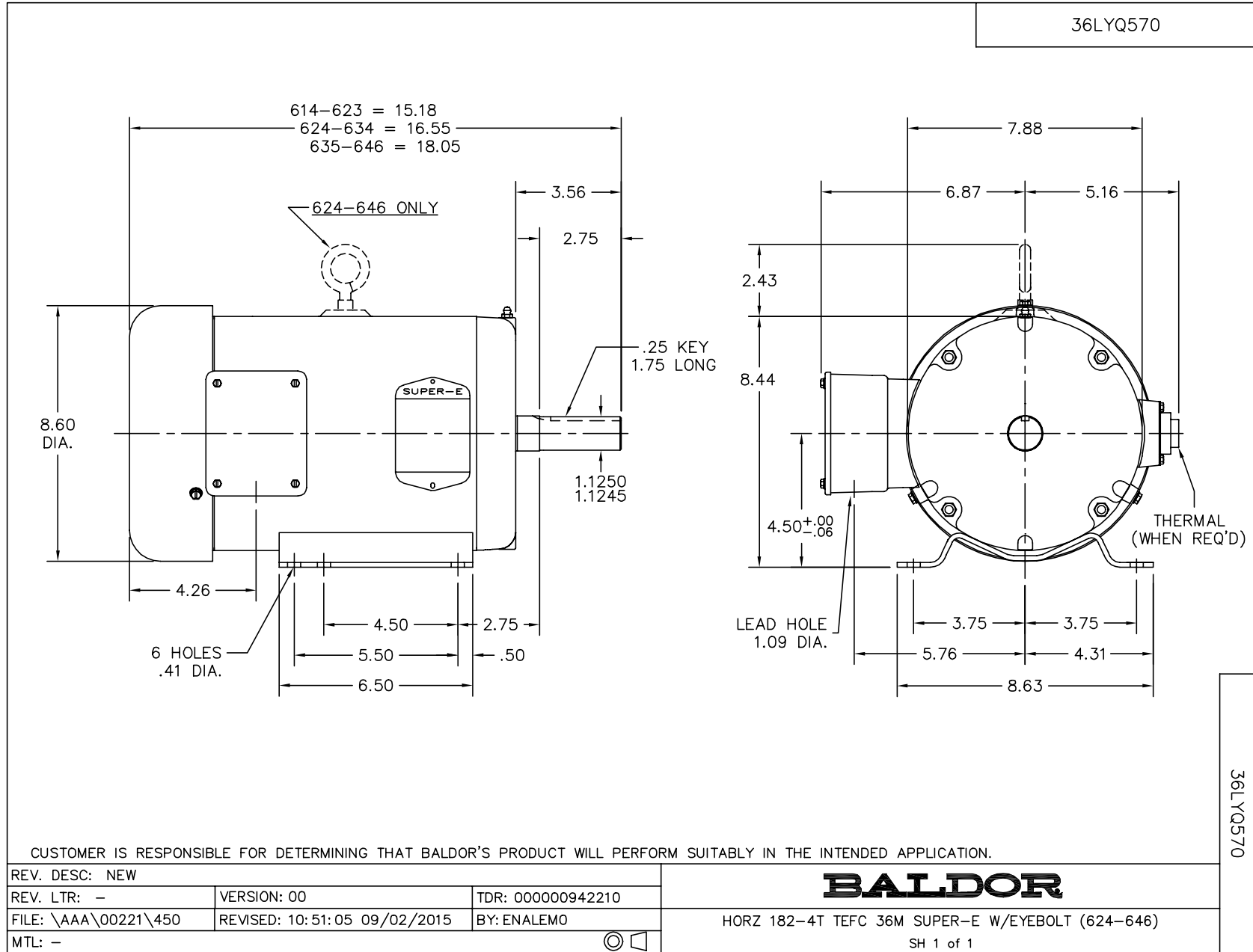
Typical performance - not guaranteed values.

3 HP 3 PH 60 HZ 1760 RPM 230 V 3632M

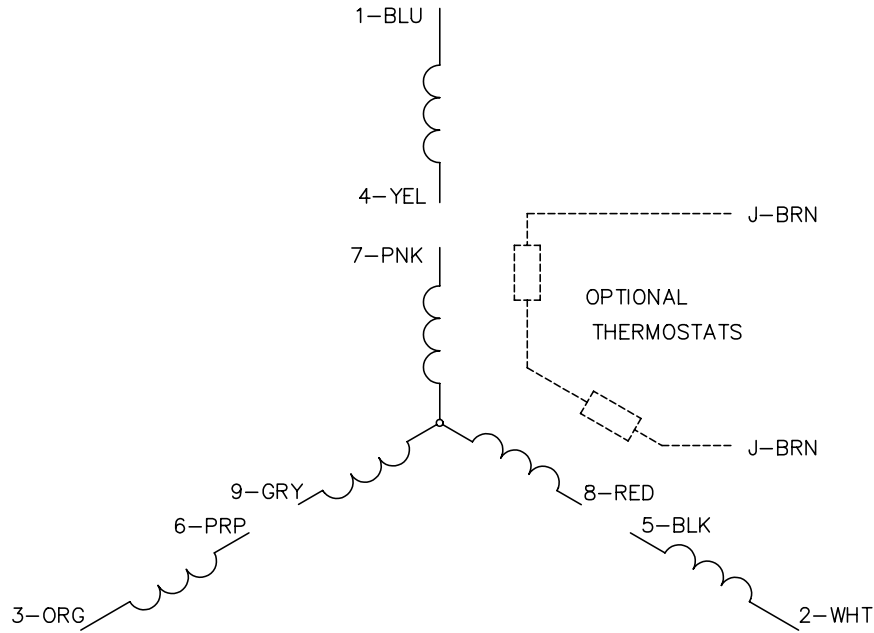
TORQUES(LB-FT): PO=37.6 PU=15.2 LR=21.7 LRA=65.4



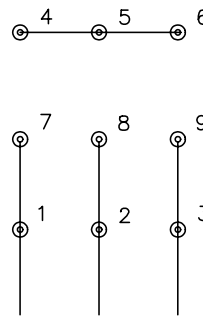
3/9/2020 ACPERF, record # 57957



CD0005

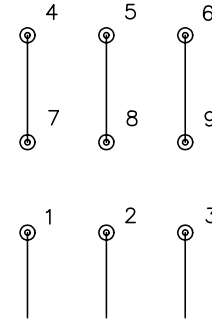


LOW VOLTAGE  
(2Y)



LINE

HIGH VOLTAGE  
(1Y)



LINE

NOTES:

1. INTERCHANGE ANY TWO LINE LEADS TO REVERSE ROTATION.
2. OPTIONAL THERMOSTATS ARE PROVIDED WHEN SPECIFIED.
3. ACTUAL NUMBER OF INTERNAL PARALLEL CIRCUITS MAY BE A MULTIPLE OF THOSE SHOWN ABOVE.
4. LEAD COLORS ARE OPTIONAL. LEADS MUST ALWAYS BE NUMBERED AS SHOWN.

REV. DESC: REVISE TO SHOW OPTIONAL COLORS

REV. LTR: E BY: JLP

REVISED: 01/19/99 10:15

TDR: 0171435

90000

FILE: AAA00005140

MDL: -

MTL: -

**BALDOR ELECTRIC Co.**

3PH, DV, 9 LEADS

CD0005