

Compact prewired limit switch

- 8387 with cable output
- 8387 with connector output
- 8387 low level with cable or connector output
- 8388 with cable output

General characteristics

Conformity to standards	IEC/EN 60947.5.1 including Annex K Dimensional conformity : NFC 63145 (8387 series) Low voltage directive : 2014/35 EU
Protection against electric shock	IEC/EN 61140 class 1, degree of pollution 3
Degree of protection IEC 60529 - IEC 62262	IP66/IP67/IP69 - IK07
Degree of protection according to NEMA 250	Type 1, 3, 4, 6, 13
Connections	H05-VVF cable 5x0.75 mm ² (AWG19), ext. Ø 7.3 mm
Operating temperature (°C)	-25 → +70 °C (-40 → +70 °C : please consult us)

Compact prewired limit switch

→ 8387 with cable output

- Metal case - «EN» size
- Positive opening operation
- IP66/IP67/IP69
- UL approved



Main specifications

Characteristics		Type of output	Metal plunger
Standard		Cable length 1 m	83 870 101
Standard		Cable length 2 m	83 870 102
Standard		Cable length 3 m	83 870 103
Standard		Cable length 6 m	83 870 106
Plunger with 90° roller		Cable length 1 m	-
Plunger with 90° roller		Cable length 2 m	-
Plunger with 90° roller		Cable length 3 m	-
Plunger with 90° roller		Cable length 6 m	-
Mechanical characteristics			
Sequence			
Snap-action			
Minimum operating force (N)			10
Minimum operating torque (Nm)			-
Minimum total travel force (N)			30
Minimum total travel torque (Nm)			-
Min. positive opening force (N)			28
Min. positive opening torque (Nm)			-
Mechanical life (operations)			10 ⁷
Vertical approach speed			10 mm/min → 0.5 m/s
Horizontal approach speed (30° cam)			-
Weight - 1m cable (g)			170

General characteristics

Assigned impulse voltage (U _{imp}) - V	2500
Assigned insulation voltage (U _i) V	500
Thermal current (I _{th}) A	10
Low-load switching - Minimum voltage (V)	10
Low-load switching - Minimum current (mA)	40
Assigned working characteristics (EN 60 947.5.1, UL 508)	A300 = AC15 240 V 3 A / 120 V 6 A Alternating current Q150 = DC13 125 V 0.55 A Direct current
Electrical life according to IEC 60947-5-1 appendix C	250 V 3 A AC15 500.000 operations 24 V 8 W DC13 500.000 operations
Electrical protection	Integral protective earth conductor Short-circuit protection device : IEC/EN 60947-5-1 Fuse 6 AgG
Approvals	UL 508, UL 50

Product adaptations



- Low current version with gold plated contacts (see «8387 low level»)
- Rear output (see dimensions)
- Protected plunger for harsh environment
- Special cable, length of cable/connector/stripping
- -40 °C operating temperature



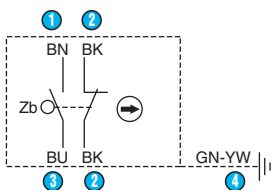
Steel roller plunger	Metal plunger with threaded barrel	Steel roller plunger with threaded barrel	Steel roller lever (2 directions of attack)
83 871 101	83 874 101	83 872 101	83 873 101
83 871 102	83 874 102	83 872 102	83 873 102
83 871 103	83 874 103	83 872 103	83 873 103
83 871 106	83 874 106	83 872 106	83 873 106
83 875 101	-	83 876 101	-
83 875 102	-	83 876 102	-
83 875 103	-	83 876 103	-
83 875 106	-	83 876 106	-
10	10	10	-
-	-	-	0.15
30	30	30	-
-	-	-	0.35
28	28	28	-
-	-	-	0.3
10 ⁷	10 ⁷	10 ⁷	10 ⁷
10 mm/min → 0.5 m/s	10 mm/min → 0.5 m/s	10 mm/min → 0.5 m/s	-
10 mm/min → 0.3 m/s	-	10 mm/min → 0.3 m/s	10 mm/min → 1.5 m/s
180	200	200	210

Principles

Function

Four-terminal double break two-way contact element (form Zb) with positive opening NC contacts. The 2 moving contacts are electrically isolated from one another.

Snap-action contact

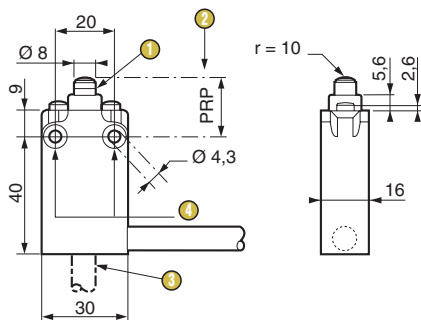


- 1 Brown
- 2 Black
- 3 Blue
- 4 Green-yellow

Dimensions

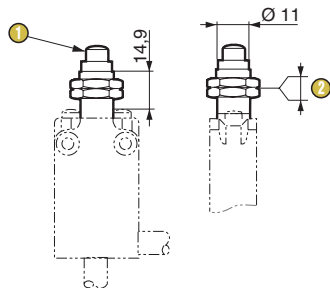
Product

83 870 1



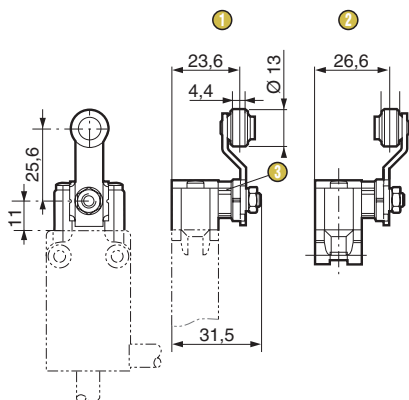
- 1 POP setting index
- 2 See sequence diagram
- 3 Rear output on request
- 4 Ø 8 x 4.3 - 4 counterbores

83 874 1



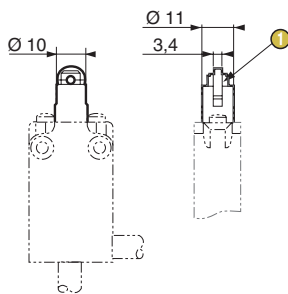
- 1 POP setting index
- 2 Max. thickness 8.5 mm

83 873 1



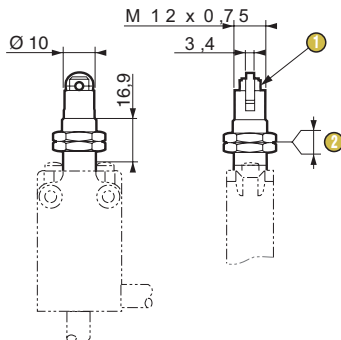
- 1 Offset A (standard mounting)
 - 2 Offset B (by turning the lever)
- For offset 13.6 or 36.6 mm: please consult us
- 3 POP setting index

83 871 1



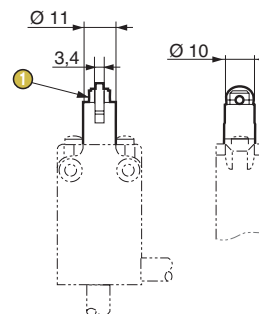
- 1 POP setting index

83 872 1



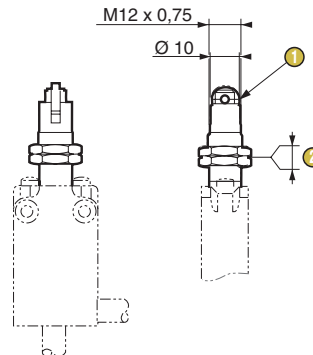
- 1 POP setting index
- 2 Max. tightening thickness 10.5

83 875 1



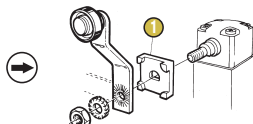
- 1 POP setting index

83 876 1

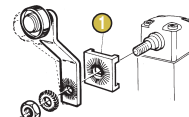


- 1 POP setting index
- 2 Max. tightening thickness 10.5

Lever angular settings



By 90° steps (standard mounting)



By 6° steps (by turning the block)

Warning:

The product information contained in this catalogue is given purely as information and does not constitute a representation, warranty or any form of contractual commitment. Crouzet Automatismes SAS and its subsidiaries reserve the right to modify their products without notice. It is imperative that we should be consulted over any particular use or application of our products and it is the responsibility of the buyer to establish, particularly through all the appropriate tests, that the product is suitable for the use or application. Under no circumstances will our warranty apply, nor shall we be held responsible for any application (such as any modification, addition, deletion, use in conjunction with other electrical or electronic components, circuits or assemblies, or any other unsuitable material or substance) which has not been expressly agreed by us prior to the sale of our products.

Compact prewired limit switch

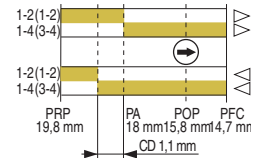
→ 8387 with connector output

- 4-pin or 5-pin M12 connectors
- Metal case - «EN» size
- Positive opening operation (4-pin models)
- IP66/IP67/IP69
- UL approved



Main specifications

Characteristics		Type of output	Metal plunger
4-pin		Connector	83 870 140
4-pin / 90° roller		Connector	-
5-pin		Connector	83 870 120
5-pin / 90° roller		Connector	-
Mechanical characteristics			
Sequence			
Snap action			
Minimum operating force N (N.m)			10
Minimum total travel force N (N.m)			30
Min. positive opening force N (N.m)			28
Mechanical life (operations)			10 ⁷
Vertical approach speed			10 mm/min → 0.5 m/s
Horizontal approach speed (30° cam)			-
Weight (g)			90
Comments			
4-pin : 1-2 / 1-4			
5-pin : (1-2) / (3-4)			



General characteristics

Assigned impulse voltage (Uimp) - V	2500 (5-pin : 1500)
Assigned insulation voltage (Ui) V	250 (5-pin : 60)
Thermal current (Ith) A	4
Low-load switching - Minimum voltage (V)	10
Low-load switching - Minimum current (mA)	40
Assigned working characteristics (EN 60 947.5.1, UL 508)	C 300 Q 150 Ie = 4 A max/Ue = 250 V max (5-pin : Ie = 4 A max - Ue = 48 V max)
Electrical life according to IEC 60947-5-1 appendix C	250 V 2.5 A AC15 500.000 operations 24 V 8 W DC13 500.000 operations
Electrical protection	Integral protective earth conductor Short-circuit protection device : IEC/EN 60947.5.1 Fuse 2 A gG
Approvals	UL 508 (4 pins C300 - Q 150) , (5 pins 48 V AC/DC 4 A)

Product adaptations



- Low current version with gold plated contacts (see «8387 low level»)
- Rear output (see dimensions)
- Protected plunger for harsh environment
- -40 °C operating temperature



Steel roller plunger	Metal plunger with threaded barrel	Steel roller plunger with threaded barrel	Steel roller lever (2 directions of attack)
83 871 140	83 874 140	83 872 140	83 873 140
83 875 140	-	83 876 140	-
83 871 120	83 874 120	83 872 120	83 873 120
83 875 120	-	83 876 120	-
10	10	10	(0.15)
30	30	30	(0.35)
28	28	28	(0.3)
10 ⁷	10 ⁷	10 ⁷	10 ⁷
10 mm/min → 0.5 m/s	10 mm/min → 0.5 m/s	10 mm/min → 0.5 m/s	-
10 mm/min → 0.3 m/s	-	10 mm/min → 0.3 m/s	10 mm/min → 1.5 m/s
100	120	120	130

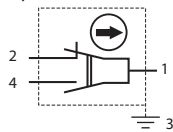
Principles

Function

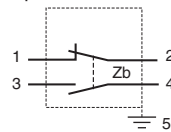
Double break two-way contact element with positive opening NC contacts (4-pin version). The 2 moving contacts are electrically isolated from one another (5-pin version).

Snap-action contact

4-pin



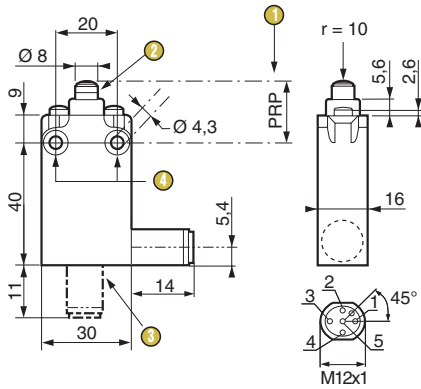
5-pin



Dimensions

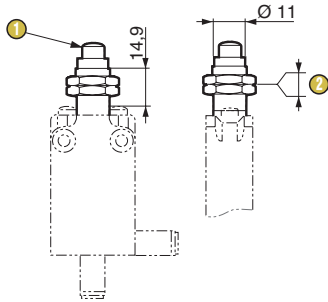
→ Product

83 870 1



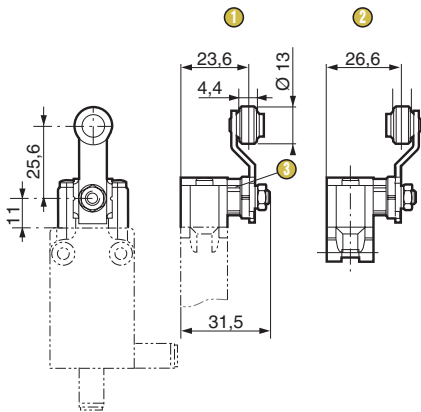
- 1 See sequence diagram
- 2 POP setting index
- 3 Rear output on request
- 4 Ø 8 x 4.3 - 4 counterbores

83 874 1



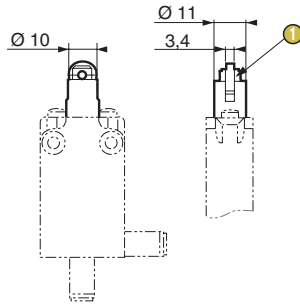
- 1 POP setting index
- 2 Max.tightening thickness 8.5

83 873 1



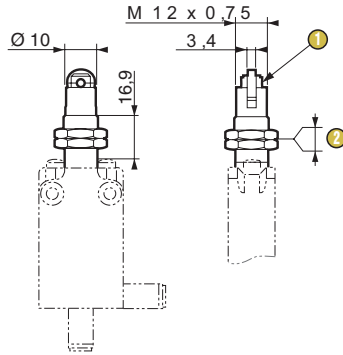
- 1 Offset A (standard mounting)
 - 2 Offset B (by turning the lever)
- For offset 13.6 or 36.6 mm: please consult us
- 3 POP setting index

83 871 1



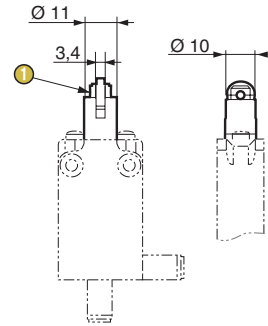
- 1 POP setting index

83 872 1



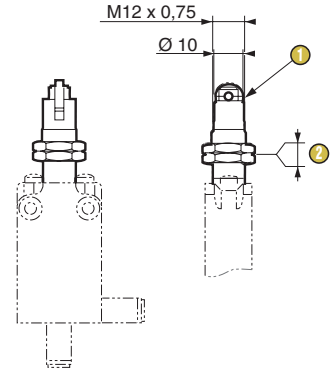
- 1 POP setting index
- 2 Max.tightening thickness 10.5

83 875 1



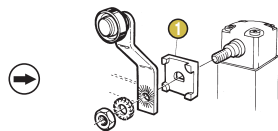
- 1 POP setting index

83 876 1

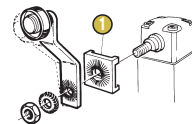


- 1 POP setting index
- 2 Max.tightening thickness 10.5

Lever angular settings



By 90° steps (standard mounting)



By 6° steps (by turning the blok)

Warning:

The product information contained in this catalogue is given purely as information and does not constitute a representation, warranty or any form of contractual commitment. Crouzet Automatismes SAS and its subsidiaries reserve the right to modify their products without notice. It is imperative that we should be consulted over any particular use or application of our products and it is the responsibility of the buyer to establish, particularly through all the appropriate tests, that the product is suitable for the use or application. Under no circumstances will our warranty apply, nor shall we be held responsible for any application (such as any modification, addition, deletion, use in conjunction with other electrical or electronic components, circuits or assemblies, or any other unsuitable material or substance) which has not been expressly agreed by us prior to the sale of our products.

Compact prewired limit switch

→ 8387 low level with cable or connector output

- Metal case - «EN» size
- Positive opening operation
- 5-pin M12 connector or cable output
- IP66/IP67/IP69
- UL approved



Main specifications

Metal plunger

Characteristics

Characteristics	Type of output
Standard	Cable 1 m long
Standard	Connector 5-pin
Plunger with 90° roller	Cable 1 m long
Plunger with 90° roller	Connector 5-pin

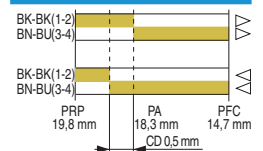
Mechanical characteristics

Sequence
Snap action

Minimum operating force N (N.m)	10
Minimum total travel force N (N.m)	30
Mechanical life (operations)	10 ⁷
Vertical approach speed	10 mm/min → 0.5 m/s
Horizontal approach speed (30° cam)	-
Weight - 1 m cable (g)	170

Comments

Cable : BK-BK/BN-BU
Connector : (1-2) / (3-4)



General characteristics

Assigned impulse voltage (U _{imp}) - V	1500
Assigned insulation voltage (U _i) V	60
Operating voltage	4 to 30 V
Operating current	1 to 100 mA
Electrical protection	Integral protective earth conductor Short-circuit protection device : IEC/EN 60947-5-1 Fuse 6 AgG (cable) or 2 AgG (connector)
Approvals	UL 508, 30 V AC/DC : 0.1A

Product adaptations



- Rear output (see dimensions)
- Protected plunger for harsh environment
- Special cable, length of cable/connector/stripping
- -40 °C operating temperature



Steel roller plunger	Metal plunger with threaded barrel	Steel roller plunger with threaded barrel	Steel roller lever (2 directions of attack)
83 871 301	83 874 301	83 872 301	83 873 301
83 871 320	83 874 320	83 872 320	83 873 320
83 875 301	-	83 876 301	-
83 875 320	-	83 876 320	-
10	10	10	(0.15)
30	30	30	(0.35)
10 ⁷	10 ⁷	10 ⁷	10 ⁷
10 mm/min → 0.5 m/s	10 mm/min → 0.5 m/s	10 mm/min → 0.5 m/s	-
10 mm/min → 0.3 m/s	-	10 mm/min → 0.3 m/s	10 mm/min → 1.5 m/s
180	200	200	210

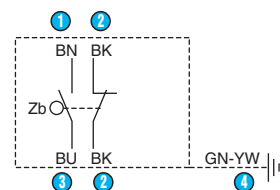
Principles

Function

Four-terminal double break two-way contact element (form Zb). The 2 moving contacts are electrically isolated from one another.

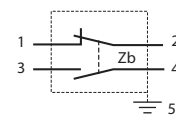
Snap-action contact

Cable output



- 1 Brown
- 2 Black
- 3 Blue
- 4 Green-yellow

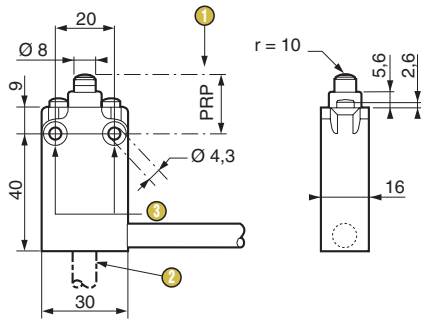
Connector output



Dimensions

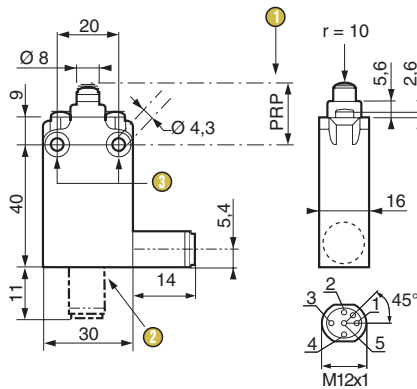
Product

83 870 3/Cable output



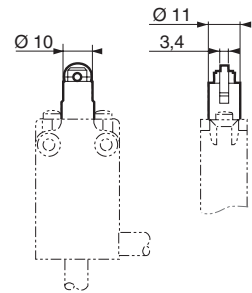
- 1 See sequence diagram
- 2 Rear output on request
- 3 Ø 8 x 4.3 - 4 counterbores

83 870 3/Connector output

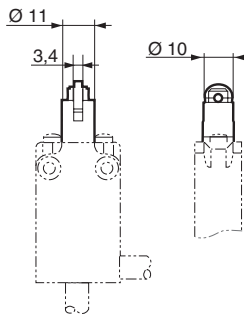


- 1 See sequence diagram
- 2 Rear output on request
- 3 Ø 8 x 4.3 - 4 counterbores

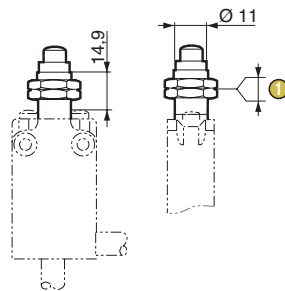
83 871 3



83 875 3

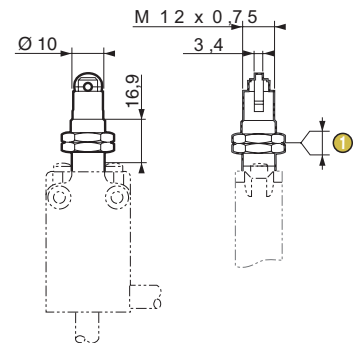


83 874 3



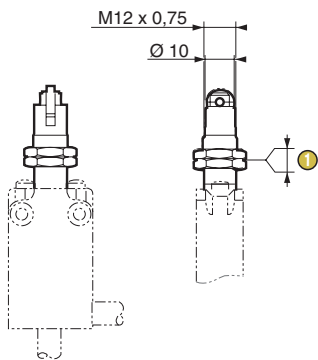
- 1 Max.tightening thickness 10.5

83 872 3



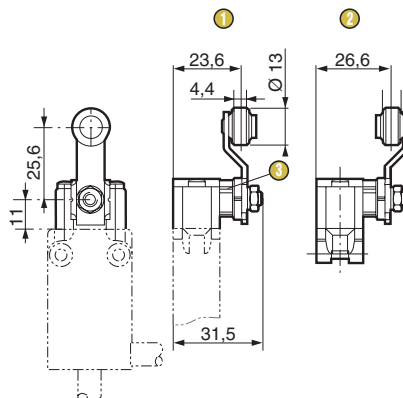
- 1 Max.tightening thickness 10.5

83 876 3



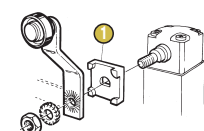
- 1 Max.tightening thickness 8.5

83 873 3

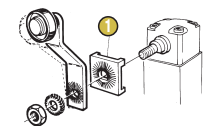


- 1 Offset A (standard mounting)
- 2 Offset B (by turning the lever)
- For offset 13.6 or 36.6 mm: please consult us
- 3 POP setting index

Lever angular settings



By 90° steps (standard mounting)



By 6° steps (by turning the block)

Warning:

The product information contained in this catalogue is given purely as information and does not constitute a representation, warranty or any form of contractual commitment. Crouzet Automatismes SAS and its subsidiaries reserve the right to modify their products without notice. It is imperative that we should be consulted over any particular use or application of our products and it is the responsibility of the buyer to establish, particularly through all the appropriate tests, that the product is suitable for the use or application. Under no circumstances will our warranty apply, nor shall we be held responsible for any application (such as any modification, addition, deletion, use in conjunction with other electrical or electronic components, circuits or assemblies, or any other unsuitable material or substance) which has not been expressly agreed by us prior to the sale of our products.