

- > **Miniature size allows for easy installation and reduced footprints**
- > **Robust Poppet design provides exceptional product life**
- > **Closed Crossover design prevents unintended shifting**
- > **Choice of Toggle or Push button for easy actuation**
- > **Panel mountable & Swivel Input port allows for easy installation**
- > **High flow**



Technical features

Medium:

Compressed air, filtered, lubricated and non-lubricated

Operating Pressure:

26" Hg - 125 psi

Operating Temperature

-20°F to 160°F

Materials:

Aluminum Anodized, Brass Electroless Nickel, Acetal, Stainless Steel, Nylon, Buna-N

Operation:

Manual Toggle or Push Button

Mounting

Inline or panel

Panel Mounting:

Nominal mounting hole dimension 31/64"

Port Size:

10-32 (F)

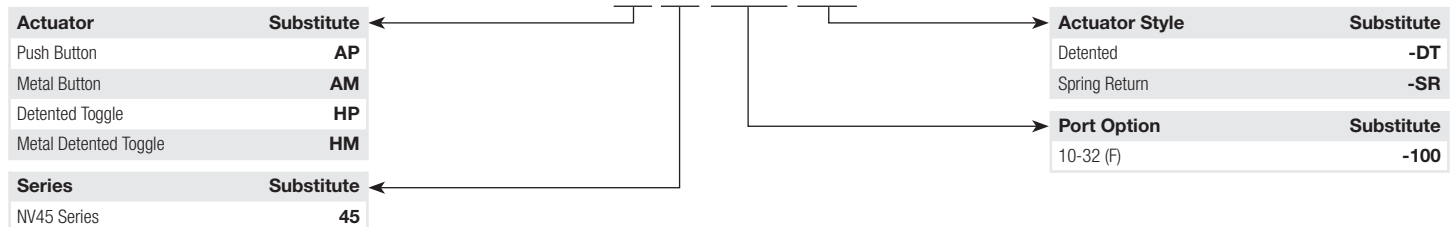
Flow:

Cv = 0.23

Technical data

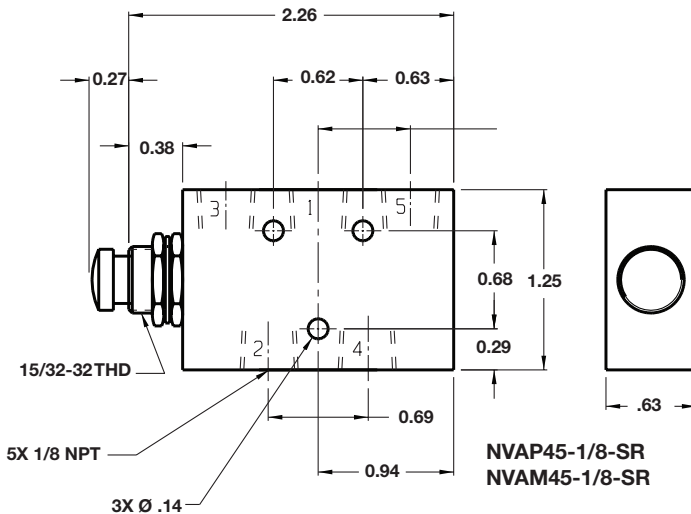
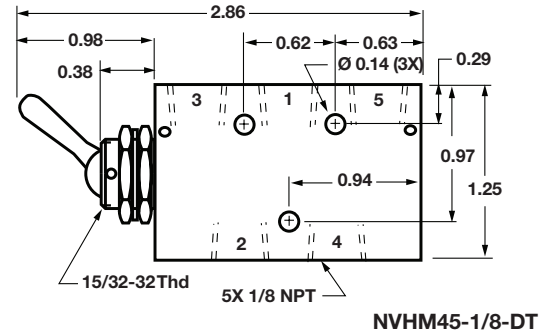
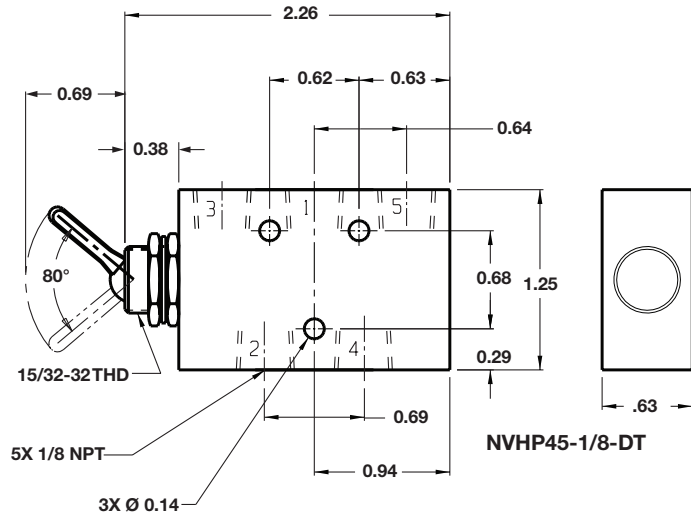
Model Number	Port Sizes	Function	Actuation	Actuation Force	
				At 50 psi	At 125 psi
NVAP45-100-SR	10-32 (F)	5/2	Push Button/Spring	5 lbs	8 lbs
NVAM45-100-SR	10-32 (F)	5/2	Metal Push Button/Spring	5 lbs	8 lbs
NVHP45-100-DT	10-32 (F)	5/2	Detented Toggle/Toggle	16 oz	16 oz
NVHM45-100-DT	10-32 (F)	5/2	Metal Detented Toggle/Toggle	13 oz	13 oz

Option selector



Dimensions

"45" Series



Warning

Improper selection, misuse, age or malfunction of components used in systems can cause failure in various modes. The system designer is warned to consider the failure modes of all component parts and to provide adequate safeguards to prevent personal injury or damage to equipment or property in the event of such failure modes. System designers and end users are cautioned to consult instruction sheets and specifications available from the factory. The system designer/end user is responsible for verifying that all requirements for the application are met.

Warranty

The products described herein are warranted subject to seller's Standard Terms and Condition of Sale, available at seller's website.

Proposition 65: These products may contain chemicals known to the state of California to cause cancer, or birth defects, or other reproductive harm.