

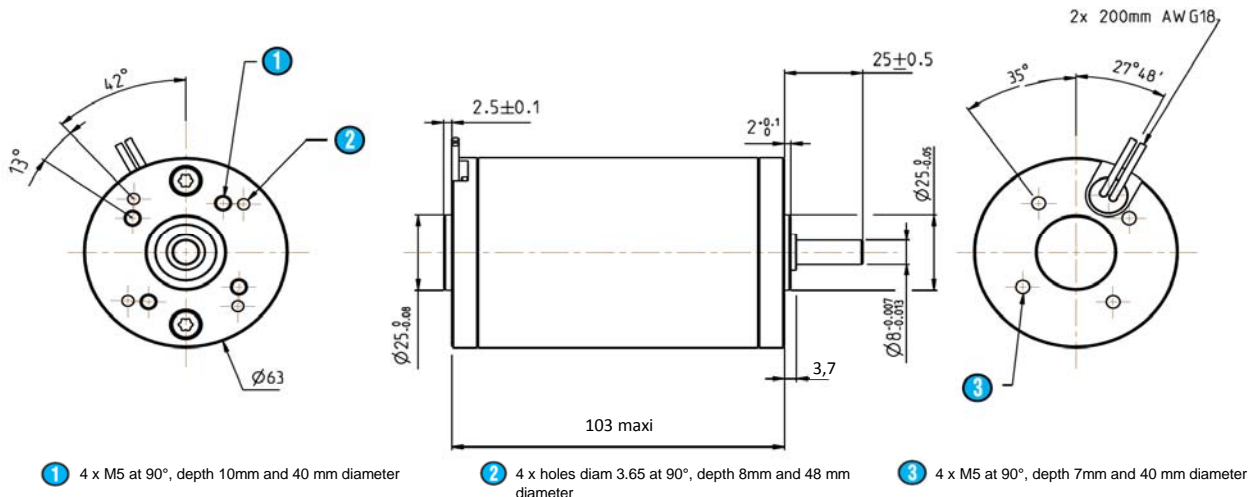
Dc mind Brush motor

Data sheet

89 830 003

Series

89 830



General characteristics

Motor characteristics at (1)		48 Vdc	
At no load - A			
Speed	rpm	3 550	+10%
Current	A	0,14	
EMC (55022)	class	B	
Life (2)	h	20 000	
At max efficiency - B			
Speed	rpm	3 200	+10%
Torque (4)	mNm	131	
Power output	W	44	
Current	A	1,15	
Efficiency	%	80	
EMC (55022)	class	B	
Life (2)	h	10 000	
At nominal load - C			
Speed	rpm	3 050	+10%
Torque (4)	mNm	180	
Power output	W	57	
Current	A	1,54	
Efficiency	%	78	
EMC (55022)	class	B	
Life (2)	h	5 000	
Others			
Starting torque	mNm	1 230	
Starting current	A	9,7	
Max. output power	W	114	
Motor parameters (1)			
Allowed speed	rpm	10 000	max
Rated torque	mNm	180	
Electrical time constant	ms	1,4	
Mechanical time constant	ms	11	
Factor torque / speed	mNm/rpm	0,36	
Dry friction	mNm	7	
Viscous friction	mNm/krpm	1,5	
Rotor inertia	gcm ²	380	
Thermal Resistance	°/W	6	
Stator poles		2	
Collector blades		12	
Cogging torque	mNm	9	
Weight (g)	g	1 200	
Noise level	dBA	35	

Winding parameters (1)			
Torque constant	mNm/A	128,6	+10%
Constant electromotive force	Volts/(rad/s)	0,129	+10%
	V / Krpm	13,46	+10%
Resistance	Ohms	4,9	+10%
Inductance	mH	7	
Start voltage	Volts		
Current demagnetization	(magnets at 150 ° C)	A	30

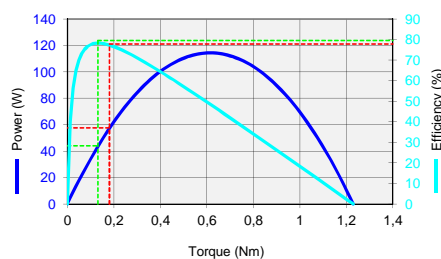
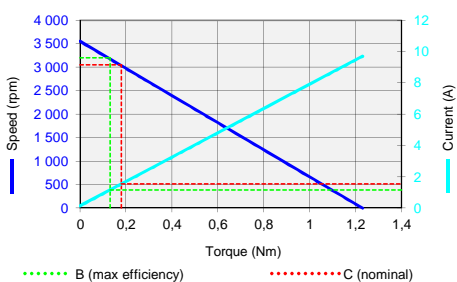
Generic parameters			
Motor for direct current supply			✓
Output shaft with ball bearings			✓
Max. Radial force (20mm from front face)	N		150
Max. axial force(5)	N		100
Temperature range	CEI60068-2-1/2	°C	-30 / 70
Storage temperature		°C	-40 / 100
Dielectric (1min 2mA 50Hz)	CEI60335	Vdc	500
Motor insulation	CEI60085	class	E (120°C)
Enameled wire insulation		class	F (155°C)
Salt spray	CEI60068-2-58	severity	2
Degree of protection	CEI60529	IP	65
EMC			
Electrostatic Discharge	CEI61000-4-2	level	3
Electrical fast transient / burst test	CEI61000-4-4	level	3
Surge test	CEI61000-4-5	level	2
Without EMC filter			✓

Approvals			
Designed in accordance with UL			1004
ROHS	2002/95/CE		✓
EC			✓

Values without tolerances, are average production values.

(1) Cold motor, 20 ° C ambient temperature
 (2) Continuous cycle, one direction
 (3) Continuously rated torque, zero radial and axial loads
 (4) Max torque for continuous operation at 20 ° C, decrease this value for higher ambient temperature
 (5) Pinion or pulley fitting are done at the Crouzet factory, before final assembly.

Curves



Performance / Motor curves (1)			
Voltage supply		Vdc	
		48	
Output data			
Speed	rpm	A	B
Torque (4)	mNm	0	131
Current	A	0,1	1,2
Power output	W	-	44
Efficiency	%	-	80
		C	D
Speed	rpm	3 050	0
Torque (4)	mNm	180	1 230
Current	A	1,5	9,7
Power output	W	57	-
Efficiency	%	78	-

Specifications subject to change without notice. Updated february 29, 2012.