

Compact prewired limit switch

- 8387 with cable output
- 8387 with connector output
- 8387 low level with cable or connector output
- 8388 with cable output

General characteristics

Conformity to standards	IEC/EN 60947.5.1 including Annex K Dimensional conformity : NFC 63145 (8387 series) Low voltage directive : 2014/35 EU
Protection against electric shock	IEC/EN 61140 class 1, degree of pollution 3
Degree of protection IEC 60529 - IEC 62262	IP66/IP67/IP69 - IK07
Degree of protection according to NEMA 250	Type 1, 3, 4, 6, 13
Connections	H05-VVF cable 5x0.75 mm ² (AWG19), ext. Ø 7.3 mm
Operating temperature (°C)	-25 → +70 °C (-40 → +70 °C : please consult us)

Compact prewired limit switch

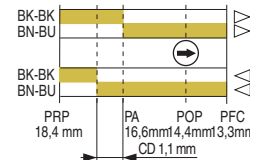
→ 8388 with cable output

- Metal case - «US» size
- Positive opening operation
- IP66/IP67/IP69
- UL approved



Main specifications

Characteristics		Type of output	Metal plunger
Standard		Cable length 1 m	83 880 101
Standard		Cable length 2 m	83 880 102
Standard		Cable length 3 m	83 880 103
Standard		Cable length 6 m	83 880 106
Plunger with 90° roller		Cable length 1 m	-
Plunger with 90° roller		Cable length 2 m	-
Plunger with 90° roller		Cable length 3 m	-
Plunger with 90° roller		Cable length 6 m	-
Mechanical characteristics			
Sequence			
Snap action			
Minimum operating force (N)			10
Minimum operating torque (Nm)			-
Minimum total travel force (N)			30
Minimum total travel torque (Nm)			-
Min. positive opening force (N)			28
Min. positive opening torque (Nm)			-
Mechanical life (operations)			10 ⁷
Vertical approach speed			10 mm/min → 0.5 m/s
Horizontal approach speed (30° cam)			-
Weight - 1 m cable (g)			190



General characteristics

Assigned impulse voltage (U _{imp}) - V	2500
Assigned insulation voltage (U _i) V	500
Thermal current (I _{th}) A	10
Low-load switching - Minimum voltage (V)	10
Low-load switching - Minimum current (mA)	40
Assigned working characteristics (EN 60 947.5.1, UL 508)	A300 = AC15 240 V 3 A / 120 V 6 A Alternating current Q150 = DC13 125 V 0.55 A Direct current
Use category according to UL 508	A300 - Q150
Electrical protection	Integral protective earth conductor Short-circuit protection device: IEC/EN 60947.5.1 Fuse 6 AgG
Approvals	UL 508, UL 50

Product adaptations



- Low current version with gold plated contacts (see «8387 low level»)
- Rear output (see dimensions)
- Connector output
- Protected plunger for harsh environment
- Special cable, length of cable/connector/stripping
- -40 °C operating temperature



Steel roller plunger	Metal plunger with threaded barrel	Steel roller plunger with threaded barrel	Steel roller lever (2 directions of attack)
83 881 101	83 884 101	83 882 101	83 883 101
83 881 102	83 884 102	83 882 102	83 883 102
83 881 103	83 884 103	83 882 103	83 883 103
83 881 106	83 884 106	83 882 106	83 883 106
83 885 101	-	83 886 101	-
83 885 102	-	83 886 102	-
83 885 103	-	83 886 103	-
83 885 106	-	83 886 106	-

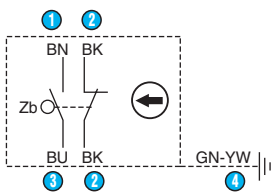
10	10	10	-
-	-	-	0.15
30	30	30	-
-	-	-	0.35
28	28	28	-
-	-	-	0.3
10 ⁷	10 ⁷	10 ⁷	10 ⁷
10 mm/min → 0.5 m/s	10 mm/min → 0.5 m/s	10 mm/min → 0.5 m/s	-
10 mm/min → 0.3 m/s	-	10 mm/min → 0.3 m/s	10 mm/min → 1.5 m/s
200	220	220	230

Principles

Function

Four-terminal double break two-way contact element (form Zb) with positive opening NC contacts. The 2 moving contacts are electrically isolated from one another.

Snap-action contact

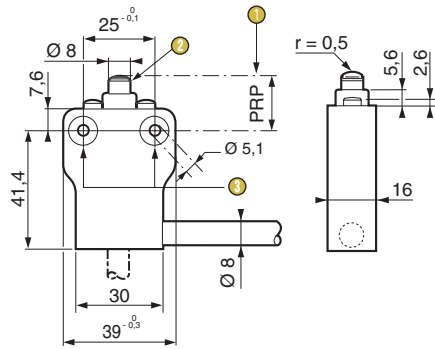


- 1 Brown
- 2 Black
- 3 Blue
- 4 Green-yellow

Dimensions

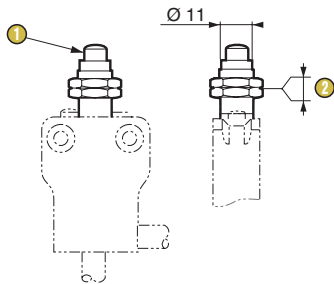
→ Product

83 880 1



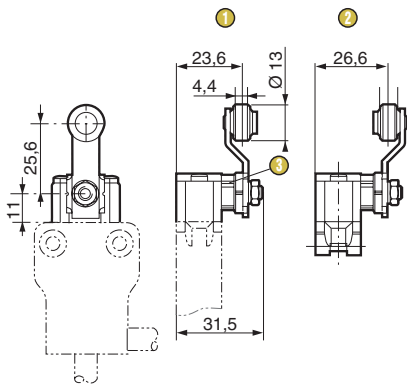
- 1 See sequence diagram
- 2 POP setting index
- 3 Ø 10 x 5.1 - 4 counterbores

83 884 1



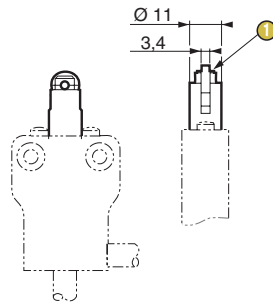
- 1 POP setting index
- 2 Max.tightening thickness 8.5

83 883 1



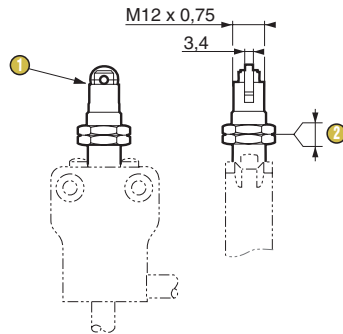
- 1 Offset A (standard mounting)
 - 2 Offset B (by turning the lever)
- For offset 13.6 or 36.6 mm: please consult us
- 3 POP setting index

83 881 1



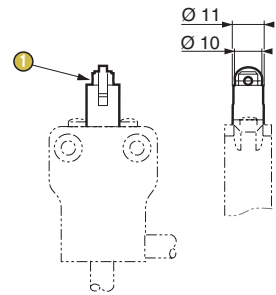
- 1 POP setting index

83 882 1



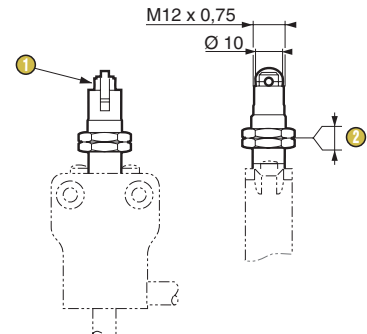
- 1 POP setting index
- 2 Max.tightening thickness 10.5

83 885 1



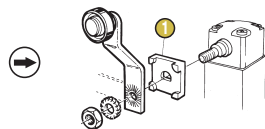
- 1 POP setting index

83 886 1

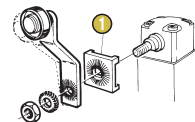


- 1 POP setting index
- 2 Max.tightening thickness 10.5

Lever angular settings



By 90° steps (standard mounting)



By 6° steps (by turning the block)

Warning:

The product information contained in this catalogue is given purely as information and does not constitute a representation, warranty or any form of contractual commitment. Crouzet Automatismes SAS and its subsidiaries reserve the right to modify their products without notice. It is imperative that we should be consulted over any particular use or application of our products and it is the responsibility of the buyer to establish, particularly through all the appropriate tests, that the product is suitable for the use or application. Under no circumstances will our warranty apply, nor shall we be held responsible for any application (such as any modification, addition, deletion, use in conjunction with other electrical or electronic components, circuits or assemblies, or any other unsuitable material or substance) which has not been expressly agreed by us prior to the sale of our products.