

**PLEASE CHECK WWW.MOLEX.COM FOR LATEST PART INFORMATION**

**Part Number:** [0731385033](#)  
**Status:** **Active**  
**Overview:** [BNC Miniature RF Connectors and Cable Assemblies](#)  
**Description:** BNC 50 Ohm, Right-Angle, PCB Bulkhead Jack Receptacle, Die Cast Zinc Alloy Body, Nickel Plated

**Documents:**

[Drawing \(PDF\)](#) [RoHS Certificate of Compliance \(PDF\)](#)

**General**

|                 |  |
|-----------------|--|
| Product Family  | RF/Coax Connectors   |
| Series          | 73138  |
| Overview        | <a href="#">BNC Miniature RF Connectors and Cable Assemblies</a> |
| Product Name    | BNC  |
| Style           | PCB  |
| Type            | Miniature  |
| UPC             | 800753691698   |
| Wire/Cable Type | N/A  |

**Physical**

|                             |              |
|-----------------------------|--------------|
| Cable Attachment            | N/A          |
| Gender                      | Jack         |
| Keying to Mating Part       | None         |
| Net Weight                  | 22.183/g     |
| Orientation                 | Right Angle  |
| PCB Mounting                | Through Hole |
| PCB Thickness - Recommended | 3.20mm       |
| Packaging Type              | Bag          |
| Panel Mount                 | Yes          |
| Panel Mount Method          | Bulkhead     |

**Electrical**

|                 |                             |
|-----------------|-----------------------------|
| Frequency       | 2 GHz                       |
| Impedance       | 50Ω                         |
| Power / Voltage | VOLTAGE: 500 Vrms@Sea Level |

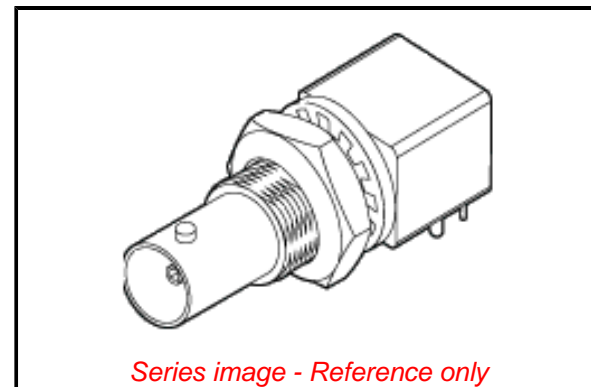
**Solder Process Data**

|                             |      |
|-----------------------------|------|
| Lead-freeProcess Capability | WAVE |
| Process Temperature max. C  | 245  |

**Material Info**

**Reference - Drawing Numbers**

|               |               |
|---------------|---------------|
| Sales Drawing | SD-73138-5033 |
|---------------|---------------|



*Series image - Reference only*

**EU ELV**

**Not Relevant**

**EU RoHS**

**Compliant with Exemption 6(c)**

**REACH SVHC**

Contained Per - ED/88/2018 (15 January 2019)  
Lead

**Halogen-Free**

**Status**

**Not Low-Halogen**

For more information, please visit [Contact US](#)

China ROHS

50 Image

ELV

Not Relevant

RoHS Phthalates

Not Contained

**Search Parts in this Series**

[73138 Series](#)

**PLEASE CHECK WWW.MOLEX.COM FOR LATEST PART INFORMATION**