

PLEASE CHECK WWW.MOLEX.COM FOR LATEST PART INFORMATION

Part Number: [0784431001](#)

Status: **Active**

Overview: [DDR3 DIMM Sockets](#)

Description: 1.00mm Pitch DDR3 DIMM Socket, Low LLCR, Press Fit, Vertical, with Pegs, Black Housing and Latches, 0.76µm Gold (Au) Plating, 3.30mm Solder Tail Length, 2.36mm PCB Thickness, 1.5V Center Voltage Key, 240 Circuits, Lead Free

Documents:

3D Model	Application Specification AS-78294-001-001 (PDF)
Drawing (PDF)	Packaging Specification PK-78443-001 (PDF)
3D Model (PDF)	RoHS Certificate of Compliance (PDF)
Product Specification PS-78443-001-001 (PDF)	

Agency Certification

CSA	LR19980
UL	E29179

Application tooling part link

Application Tooling Part Link	62201-8656
Application Tooling Part Link	62202-3800

General

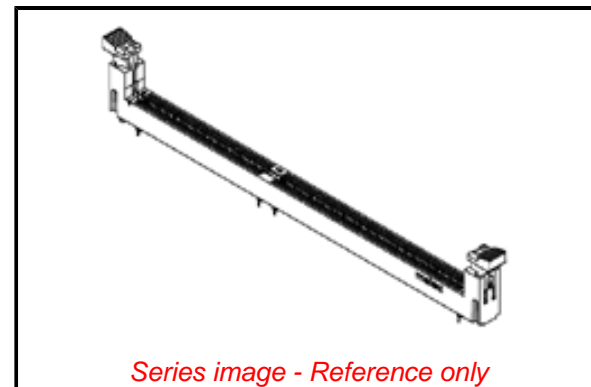
Product Family	Memory Module Sockets
Series	78443
Component Type	Socket
JEDEC Outline	MO-269
Overview	DDR3 DIMM Sockets
Product Name	DDR3 DIMM
UPC	884982216532

Physical

Circuits (Loaded)	240
Circuits (maximum)	240
Durability (mating cycles max)	25
Entry Angle	Vertical
Flammability	94V-0
Housing Color	Black
Keying to Mating Part	Yes
Latch Color	Black
Material - Metal	Phosphor Bronze
Material - Plating Mating	Gold
Material - Plating Termination	Tin
Material - Resin	High Temperature Thermoplastic
Net Weight	10.853/g
PC Tail Length	3.30mm
PCB Locator	Yes
PCB Retention	Yes
PCB Thickness - Recommended	3.60mm
Packaging Type	Tray
Pitch - Mating Interface	1.00mm
Pitch - Termination Interface	1.00mm
Plating min - Mating	0.762µm
Plating min - Termination	0.381µm
Temperature Range - Operating	-55° to +85°C
Termination Interface: Style	Through Hole - Compliant Pin

Electrical

Current - Maximum per Contact	1.0A
-------------------------------	------



Series image - Reference only

EU ELV

Not Relevant

EU RoHS

Compliant

REACH SVHC

Not Contained Per -
ECHA_01_2020 (16
January 2020

Halogen-Free

Status

Not Low-Halogen

For more information, please visit [Contact US](#)

China ROHS

ELV

RoHS Phthalates

China RoHS

Green Image

Not Relevant

Not Contained

Search Parts in this Series

[78443 Series](#)

Mates With

JEDEC Standard 1.27mm Modules

Application Tooling | FAQ

Tooling specifications and manuals are found by selecting the products below. Crimp Height Specifications are then contained in the Application Tooling Specification document.

Global

Description	Product #
DDR3 DIMM Memory Module	622018656
Installation Tool	
DDR3 DIMM Memory Module	622023800
Extraction Tool	

Voltage - Maximum 30V AC (RMS)/DC
Voltage Key Center

Solder Process Data

Lead-free Process Capability N/A

Material Info

Reference - Drawing Numbers

Application Specification AS-78294-001-001
Electrical Model Document EE-78443-001, EE-78443-002
Packaging Specification PK-78443-001
Product Specification PS-78443-001-001
S-Parameter Model SP-78443-001, SP-78443-002
Sales Drawing SD-78443-001

This document was generated on 02/27/2020

PLEASE CHECK WWW.MOLEX.COM FOR LATEST PART INFORMATION