

**PLEASE CHECK WWW.MOLEX.COM FOR LATEST PART INFORMATION**

**Part Number:** **0736440206**  
**Status:** **Active**  
**Overview:** HDM Backplane Connector System  
**Description:** HDM Board-to-Board Backplane Header, Vertical, SMC, Press-Fit, Guide Post Location B, Polarizing Key Position D, 72 Circuits, Mating Length 6.00mm

**Documents:**

[3D Model](#) [Packaging Specification PK-70873-0818 \(PDF\)](#)  
[Drawing \(PDF\)](#) [RoHS Certificate of Compliance \(PDF\)](#)

**Agency Certification**

CSA LR19980  
 UL E29179

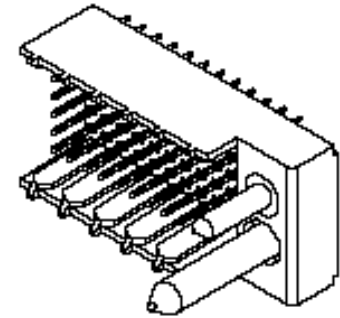
**General**

Product Family Backplane Connectors  
 Series 73644  
 Application Backplane  
 Comments Standard Press-Fit, Standard Press-Fit  
 Component Type PCB Header  
 Overview HDM Backplane Connector System  
 Product Name HDM  
 UPC 800754800044

**Physical**

Circuits (Loaded) 72  
 Circuits (maximum) 72  
 Color - Resin Black, Natural  
 Durability (mating cycles max) 250  
 First Mate / Last Break No  
 Flammability 94V-0  
 Guide to Mating Part Yes  
 Keying to Mating Part Yes  
 Material - Metal Phosphor Bronze, Stainless Steel  
 Material - Plating Mating Gold  
 Material - Plating Termination Gold  
 Material - Resin High Temperature Thermoplastic  
 Number of Columns 12  
 Number of Pairs Open Pin Field  
 Number of Rows 6  
 Orientation Vertical  
 PC Tail Length 3.50mm  
 PCB Locator No  
 PCB Retention Yes  
 PCB Thickness - Recommended 2.50mm  
 Packaging Type Tube  
 Pitch - Mating Interface 2.00mm  
 Pitch - Termination Interface 2.00mm  
 Plating min - Mating 0.762µm  
 Plating min - Termination 0.051µm  
 Polarized to PCB No  
 Stackable Yes  
 Surface Mount Compatible (SMC) Yes  
 Temperature Range - Operating -55° to +105°C  
 Termination Interface: Style Through Hole - Compliant Pin

**Electrical**



Series image - Reference only

**EU ELV**

**Not Reviewed**

**EU RoHS**

**Not Reviewed**

**REACH SVHC**

Not Reviewed

**Halogen-Free**

**Status**

**Not Reviewed**

For more information, please visit [Contact US](#)

China ROHS	Not Reviewed
ELV	Not Reviewed
RoHS Phthalates	Not Reviewed

**Search Parts in this Series**

73644 Series

**Mates With**

73632 HDM+ Board-to-Board Daughtercard Receptacle. 73780 HDM Board-to-Board Daughtercard Receptacle

**Application Tooling | FAQ**

*Tooling specifications and manuals are found by selecting the products below. Crimp Height Specifications are then contained in the Application Tooling Specification document.*

**Global**

Description	Product #
Extraction Tool	<u>621001000</u>
Backplane Insertion	<u>621001400</u>
Signal Contact Tool	
Backplane Signal	<u>622008502</u>
Insertion Module	
Press-In Tool for 2.00mm Pitch HDM* Board-to-Board Backplane Header	

Current - Maximum per Contact	1.0A
Data Rate	1.0 Gbps
Real Signals (per 25mm)	75
Shielded	No
Voltage - Maximum	250V AC

**Material Info**

**Reference - Drawing Numbers**

Packaging Specification	PK-70873-0818
Sales Drawing	SDA-73644-XXXX

This document was generated on 09/13/2019

**PLEASE CHECK [WWW.MOLEX.COM](http://WWW.MOLEX.COM) FOR LATEST PART INFORMATION**