

PLEASE CHECK WWW.MOLEX.COM FOR LATEST PART INFORMATION

Part Number: **0781560001**

Status: **Active**

Overview: DDR3 DIMM Sockets

Description: 1.00mm Pitch DDR3 DIMM Socket, Vertical, Surface Mount, with Beveled Metal Pins, Black Housing and Latches, 0.76µm Gold (Au) Plating, 3.94mm Beveled Metal Pin Length, 1.57mm PCB Thickness, 240 Circuits, Lead-Free

Documents:

[3D Model](#)

[3D Model \(PDF\)](#)

[Drawing \(PDF\)](#)

[Product Specification PS-78156-001-001 \(PDF\)](#)

[Application Specification AS-78156-001-001 \(PDF\)](#)

[Packaging Specification PK-78156-001 \(PDF\)](#)

[RoHS Certificate of Compliance \(PDF\)](#)

Agency Certification

CSA LR19980

UL E29179

General

Product Family Memory Module Sockets

Series 78156

Component Type Socket

JEDEC Outline MO-269

Overview DDR3 DIMM Sockets

Product Name DDR3 DIMM

UPC 800756674803

Physical

Circuits (Loaded) 240

Circuits (maximum) 240

Durability (mating cycles max) 25

Entry Angle Vertical

Flammability 94V-0

Housing Color Black

Keying to Mating Part Yes

Latch Color Black

Material - Metal Copper Alloy

Material - Plating Mating Gold

Material - Plating Termination Tin

Material - Resin High Temperature Thermoplastic

Net Weight 8.847/g

PCB Locator Yes

PCB Retention Yes

PCB Thickness - Recommended 1.57mm

Packaging Type Tray

Pitch - Mating Interface 1.00mm

Pitch - Termination Interface 1.00mm

Plating min - Mating 0.762µm

Plating min - Termination 2.540µm

Temperature Range - Operating -55° to +85°C

Termination Interface: Style Surface Mount

Electrical

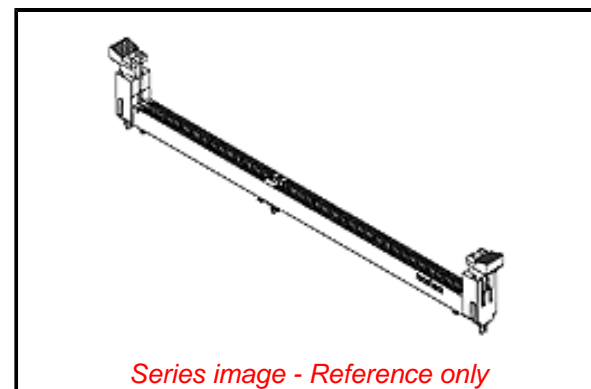
Current - Maximum per Contact 1.0A

Voltage - Maximum 30V AC (RMS)/DC

Voltage Key Center

Solder Process Data

Duration at Max. Process Temperature (seconds) 040



Series image - Reference only

EU ELV

Not Relevant

EU RoHS

Compliant

REACH SVHC

Not Contained Per -

ECHA_01_2020 (16

January 2020

Halogen-Free

Status

Low-Halogen

For more information, please visit [Contact US](#)

China ROHS

ELV

RoHS Phthalates

Green Image

Not Relevant

Not Contained

Search Parts in this Series

78156 Series

Mates With

JEDEC Standard 1.27mm Modules

Lead-freeProcess Capability
Max. Cycles at Max. Process Temperature
Process Temperature max. C

REFLOW
002
260

Material Info

Reference - Drawing Numbers

Application Specification	AS-78156-001-001
Electrical Model Document	EE-78156-004, EE-78156-005
Packaging Specification	PK-78156-001
Product Specification	PS-78156-001-001
S-Parameter Model	SP-78156-004, SP-78156-005
Sales Drawing	SD-78156-001

This document was generated on 02/20/2020

PLEASE CHECK WWW.MOLEX.COM FOR LATEST PART INFORMATION