

PLEASE CHECK WWW.MOLEX.COM FOR LATEST PART INFORMATION

Part Number: [0019091036](#)
Status: **Active**
Overview: Standard .093" Pin and Socket Connectors
Description: 2.36mm Diameter Standard .093" Pin and Socket Receptacle Housing with Positive Latch, UL 94V-0, 3 Circuits

Documents:

3D Model	3D Model (PDF)
Drawing (PDF)	RoHS Certificate of Compliance (PDF)

Agency Certification

CSA	LR19980
UL	E29179

General

Product Family	Crimp Housings
Series	3191
Application	Power, Wire-to-Board, Wire-to-Wire
Comments	Polarized to Mating Part, without Mounting Ears, Polarized to Mating Part, without Mounting Ears
Overview	Standard .093" Pin and Socket Connectors
Product Name	Standard .093"
UPC	800753594470

Physical

Breakaway	No
Circuits (maximum)	3
Circuits Detail	1x3
Color - Resin	Natural
Flammability	94V-0
Gender	Receptacle
Glow-Wire Capable	No
Keying to Mating Part	None
Lock to Mating Part	Yes
Material - Resin	Nylon
Net Weight	3.120/g
Number of Rows	1
Packaging Type	Bag
Panel Mount	No
Pitch - Mating Interface	6.70mm
Polarized to Mating Part	Yes
Stackable	No
Temperature Range - Operating	-40° to +105°C

Electrical

Current - Maximum per Contact	11.0A
-------------------------------	-------

Solder Process Data

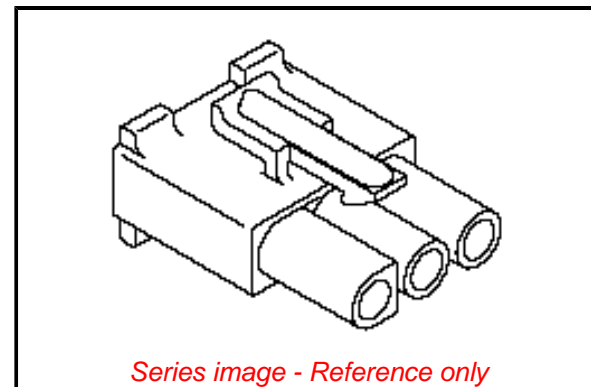
Lead-free Process Capability	N/A
------------------------------	-----

Material Info

Engineering Number	3191-3R1-201
--------------------	--------------

Reference - Drawing Numbers

Sales Drawing	SD-3191-3X
---------------	------------



Series image - Reference only

EU ELV

Not Relevant

EU RoHS

Compliant

REACH SVHC

Not Contained Per -
ECHA_01_2020 (16
January 2020

Halogen-Free

Status

Low-Halogen

For more information, please visit [Contact US](#)

China ROHS

ELV

RoHS Phthalates

China RoHS

Green Image

Not Relevant

Not Contained

Search Parts in this Series

[3191 Series](#)

Mates With

[19092036](#) , [19092037](#) , [19092038](#) ,
[19092039](#) , [5219](#)

Use With

[1189 Crimp Terminals](#), [1190 Crimp Terminals](#), [1380 Male Crimp Terminals](#), [1381 Female Crimp Terminals](#), [1433 Crimp Terminals](#), [1434 Male Crimp Terminals](#), [2605](#) , [2606](#) , [1973](#) , [2151](#) , [2273](#) , [2870](#) , [Link:2871](#), [4272](#)

PLEASE CHECK WWW.MOLEX.COM FOR LATEST PART INFORMATION