

PLEASE CHECK WWW.MOLEX.COM FOR LATEST PART INFORMATION

Part Number: [0528920896](#)
Status: **Active**
Overview: FFC-FPC (SMT)
Description: 0.50mm Pitch Easy-On FFC/FPC Connector, Right-Angle, Surface Mount, ZIF, Bottom Contact Style, Cable Retention Guide, 8 Circuits, Gold (Au) Contact Plating

Documents:

3D Model	Product Specification PS-52892-039-001 (PDF)
3D Model (PDF)	Packaging Specification SPK-52892-001-001 (PDF)
Drawing (PDF)	RoHS Certificate of Compliance (PDF)

General

Product Family	FFC/FPC Connectors
Series	52892
Comments	Hinge, Cable Guide
Overview	FFC-FPC (SMT)
Product Name	Easy-On
UPC	883906525682

Physical

Actuator Type	Flip
Circuits (Loaded)	8
Contact Position	Bottom
Durability (mating cycles max)	20
Mated Height	2.00mm
Material - Metal	Phosphor Bronze
Material - Plating Mating	Gold
Material - Plating Termination	Gold
Net Weight	121.000/mg
Number of Rows	1
Orientation	Right Angle
PCB Locator	No
PCB Mounting	Surface Mount
PCB Retention	Yes
Packaging Type	Embossed Tape on Reel
Pitch - Mating Interface	0.50mm
Polarized to PCB	No
Stackable	No
Temperature Range - Operating	-30° to +85°C
Wire/Cable Type	FFC/FPC

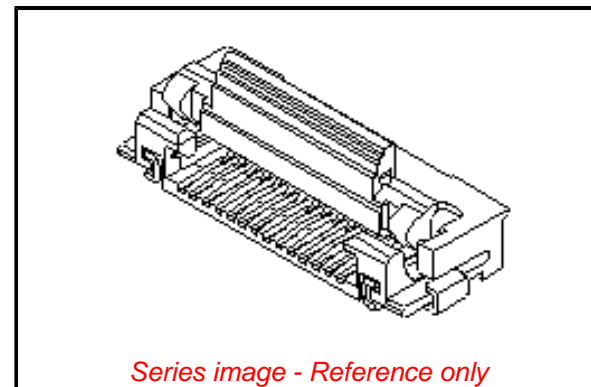
Electrical

Current - Maximum per Contact	0.5A
Voltage - Maximum	50V

Material Info

Reference - Drawing Numbers

Packaging Specification	SPK-52892-001-001
Product Specification	PS-52892-039-001
Sales Drawing	528920001-000, 528921001-000



EU ELV

Not Relevant

EU RoHS

Compliant

REACH SVHC

Not Contained Per -
ECHA_01_2020 (16
January 2020

Halogen-Free

Status

Not Low-Halogen

For more information, please visit [Contact US](#)

China ROHS

ELV

RoHS Phthalates

China RoHS

Green Image

Not Relevant

Not Contained

Search Parts in this Series

[52892 Series](#)