

PLEASE CHECK WWW.MOLEX.COM FOR LATEST PART INFORMATION

Part Number: [0019091099](#)
Status: **Active**
Overview: Standard .093" Pin and Socket Connectors
Description: 2.36mm Diameter Standard .093" Pin and Socket Receptacle Housing with Positive Latch, UL 94V-2, 9 Circuits

Documents:

| | |
|--------------------------------|---|
| 3D Model | Product Specification PS-3191-001-001 (PDF) |
| Drawing (PDF) | RoHS Certificate of Compliance (PDF) |
| 3D Model (PDF) | |

Agency Certification

| | |
|-----|---------|
| CSA | LR19980 |
| UL | E29179 |

General

| | |
|----------------|--|
| Product Family | Crimp Housings |
| Series | 3191 |
| Application | Power, Wire-to-Board, Wire-to-Wire |
| Comments | Polarized to Mating Part, Polarized to Mating Part |
| Overview | Standard .093" Pin and Socket Connectors |
| Product Name | Standard .093" |
| UPC | 800753594531 |

Physical

| | |
|-------------------------------|----------------|
| Breakaway | No |
| Circuits (maximum) | 9 |
| Circuits Detail | 3x3 |
| Color - Resin | Natural |
| Flammability | 94V-2 |
| Gender | Receptacle |
| Glow-Wire Capable | No |
| Keying to Mating Part | None |
| Lock to Mating Part | Yes |
| Material - Resin | Nylon |
| Net Weight | 6.770/g |
| Number of Rows | 3 |
| Packaging Type | Bag |
| Panel Mount | No |
| Pitch - Mating Interface | 6.70mm |
| Polarized to Mating Part | Yes |
| Stackable | No |
| Temperature Range - Operating | -40° to +105°C |

Electrical

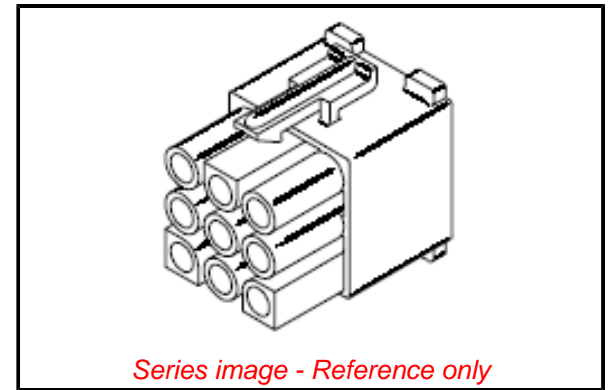
| | |
|-------------------------------|------|
| Current - Maximum per Contact | 9.0A |
|-------------------------------|------|

Material Info

| | |
|--------------------|----------|
| Engineering Number | 3191-9R1 |
|--------------------|----------|

Reference - Drawing Numbers

| | |
|-----------------------|-----------------|
| Product Specification | PS-3191-001-001 |
| Sales Drawing | SD-3191-9X |



EU ELV

Not Relevant

EU RoHS

Compliant

REACH SVHC

Not Contained Per -
ECHA_01_2020 (16
January 2020

Halogen-Free

Status

Low-Halogen

For more information, please visit [Contact US](#)

China ROHS

ELV

RoHS Phthalates

China RoHS

Green Image

Not Relevant

Not Contained

Search Parts in this Series

[3191 Series](#)

Mates With

[19092096](#) , [19092097](#) , [19092098](#) ,
[19092099](#) , [5219](#)

Use With

Female Crimp Terminals [1189](#) , [1381](#) , [1433](#)
, [2151](#) , [2273](#) , [2871](#) , Male Crimp Terminals
[1190](#) , [1380](#) , [1434](#) , [1973](#) , [2870](#) , [4272](#) ,
Female PC Tail Terminals [2605](#) , Male PC
Tail Terminals [2606](#)