

PLEASE CHECK WWW.MOLEX.COM FOR LATEST PART INFORMATION

Part Number: [0548190589](#)
Status: **Active**
Overview: [USB Products and Solutions](#)
Description: Universal Serial Bus (USB) Mini-B Receptacle, Right-Angle, Surface Mount Solder Tails and Shell Tabs, with Cover Tape, Lead-Free, LCP Housing

Documents:

[3D Model](#) [Product Specification PS-56579-015-001 \(PDF\)](#)
[3D Model \(PDF\)](#) [RoHS Certificate of Compliance \(PDF\)](#)
[Drawing \(PDF\)](#)

Agency Certification

UL E29179

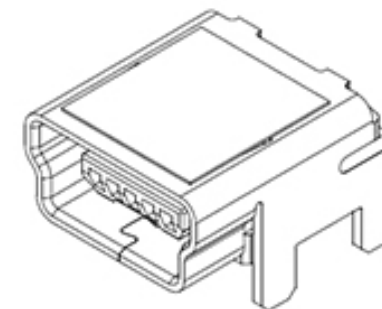
General

Product Family I/O Connectors
 Series [54819](#)
 Application Wire-to-Board
 Component Type Receptacle
 Overview [USB Products and Solutions](#)
 Product Name USB
 Type Mini-B
 UPC 822348695027

Physical

Circuits (Loaded) 5
 Circuits (maximum) 5
 Color - Resin Black
 Durability (mating cycles max) 5000
 Flammability 94V-0
 Gender Female
 Keying to Mating Part Yes
 Lock to Mating Part Yes
 Material - Metal Copper Alloy
 Material - Plating Mating Gold
 Material - Plating Termination Tin
 Material - Resin High Temperature Thermoplastic
 Net Weight 0.728/g
 Number of Rows 1
 Orientation Right Angle
 PCB Locator Yes
 PCB Retention Yes
 Packaging Type Embossed Tape on Reel
 Panel Mount No
 Pitch - Mating Interface 0.80mm
 Pitch - Termination Interface 0.80mm
 Plating min - Mating 0.750µm
 Plating min - Termination 1.000µm
 Polarized to Mating Part Yes
 Polarized to PCB No
 Ports 1
 Surface Mount Compatible (SMC) Yes
 Temperature Range - Operating -20° to +85°C
 Termination Interface: Style Surface Mount
 Waterproof / Dustproof No

Electrical



Series image - Reference only

EU ELV

Not Relevant

EU RoHS

Compliant

REACH SVHC

Not Contained Per -
 ECHA_01_2020 (16
 January 2020

Halogen-Free

Status

Not Low-Halogen

For more information, please visit [Contact US](#)

China ROHS

ELV

RoHS Phthalates

China RoHS

Green Image

Not Relevant

Not Contained

Search Parts in this Series

[54819 Series](#)

Current - Maximum per Contact	1.0A
Grounding to Panel	Yes
Shield Type	Full Shield
Shielded	Yes
Voltage - Maximum	30V AC (RMS)/DC

Solder Process Data

Duration at Max. Process Temperature (seconds)	005
Lead-free Process Capability	REFLOW
Max. Cycles at Max. Process Temperature	001
Process Temperature max. C	245

Material Info**Reference - Drawing Numbers**

Product Specification	PS-56579-015-001
Sales Drawing	SD-54819-030, SD-54819-031

This document was generated on 03/05/2020

PLEASE CHECK WWW.MOLEX.COM FOR LATEST PART INFORMATION