

**PLEASE CHECK WWW.MOLEX.COM FOR LATEST PART INFORMATION**

**Part Number:** [0740621001](#)  
**Status:** **Active**  
**Overview:** VHDM Backplane Connector Systems  
**Description:** 2.00mm Pitch VHDM Single-Ended Board-to-Board Backplane Header, Vertical, 8 Rows, Guide Pin Signal Module, Shield End Version, 80 Circuits, 10 Columns, Pin Length 4.75mm

**Documents:**

[3D Model](#) [Packaging Specification PK-74061-003 \(PDF\)](#)  
[3D Model \(PDF\)](#) [RoHS Certificate of Compliance \(PDF\)](#)  
[Drawing \(PDF\)](#)

**Agency Certification**

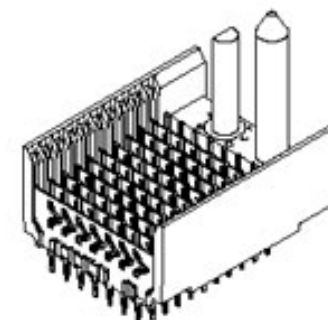
UL E29179

**General**

Product Family Backplane Connectors  
 Series [74062](#)  
 Application Backplane  
 Application Tooling Documents TM-622010999  
 Comments No Keying Position  
 Component Type PCB Header  
 Overview [VHDM Backplane Connector Systems](#)  
 Product Name VHDM  
 UPC 800754782203

**Physical**

Circuits (Loaded) 80  
 Circuits (maximum) 80  
 Color - Resin Black  
 Durability (mating cycles max) 200  
 First Mate / Last Break No  
 Flammability 94V-0  
 Guide to Mating Part Yes  
 Keying to Mating Part None  
 Material - Metal Beryllium Copper, High Performance Alloy (HPA), Stainless Steel  
 Material - Plating Mating Gold  
 Material - Plating Termination Tin-Lead  
 Material - Resin High Temperature Thermoplastic  
 Net Weight 8.242/g  
 Number of Columns 10  
 Number of Pairs Open Pin Field  
 Number of Rows 8  
 Orientation Vertical  
 PC Tail Length 2.50mm  
 PCB Locator No  
 PCB Retention None  
 PCB Thickness - Recommended 1.80mm  
 Packaging Type Tube  
 Pitch - Mating Interface 2.00mm  
 Pitch - Termination Interface 1.00mm  
 Plating min - Mating 0.762µm  
 Plating min - Termination 0.762µm  
 Polarized to PCB Yes  
 Surface Mount Compatible (SMC) Yes  
 Temperature Range - Operating -55° to +105°C



Series image - Reference only

**EU ELV**

**Not Relevant**

**EU RoHS**

**Compliant**

**REACH SVHC**

Not Contained Per -  
 ECHA\_01\_2020 (16  
 January 2020

**Halogen-Free**

**Status**

**Low-Halogen**

For more information, please visit [Contact US](#)

China ROHS

ELV

RoHS Phthalates

Green Image

Not Relevant

Not Contained

**China RoHS**

**Search Parts in this Series**

[74062](#) Series

**Mates With**

[74040](#) VHDM Board-to-Board Daughtercard Receptacle

**Application Tooling | FAQ**

*Tooling specifications and manuals are found by selecting the products below. Crimp Height Specifications are then contained in the Application Tooling Specification document.*

**Global**

Description	Product #
Signal Pin Inserter Repair Tool	<a href="#">622015700</a>
8-Row Pin and Shield Repair Tool	<a href="#">622015900</a>
8-Row Shield Extraction Tool	<a href="#">622016100</a>
Insertion Module for Advanced Mate Signal Header, 8-	<a href="#">622020205</a>

Termination Interface: Style

Through Hole - Compliant Pin

**Electrical**

Current - Maximum per Contact

3.0A

Data Rate

3.125 Gbps

Shield Type

Ground Plane Shield

Shielded

Yes

Voltage - Maximum

120V AC (RMS)/DC

**Material Info**

**Reference - Drawing Numbers**

Packaging Specification

PK-74061-003

Sales Drawing

SD-74062-002

Row by 10-Wide,  
20.00mm

Insertion Module 622020209

for Standard Shield

Signal Header, 8-

Row by 10-Wide,  
20.00mm

This document was generated on 03/10/2020

**PLEASE CHECK [WWW.MOLEX.COM](http://WWW.MOLEX.COM) FOR LATEST PART INFORMATION**