

PLEASE CHECK WWW.MOLEX.COM FOR LATEST PART INFORMATION

Part Number: [0752354123](#)
Status: **Active**
Overview: [GbX Backplane Connector System](#)
Description: GbX 4 Pair Backplane Connector System, Right Guide Header, 80 Circuits, 10 Columns, Gold (Au) 0.76µm, Pin Length 3.55mm, Key Orientation B

Documents:

[Drawing \(PDF\)](#) [Packaging Specification PK-70873-563 \(PDF\)](#)
[Product Specification PS-75221-999-001 \(PDF\)](#) [RoHS Certificate of Compliance \(PDF\)](#)

Agency Certification

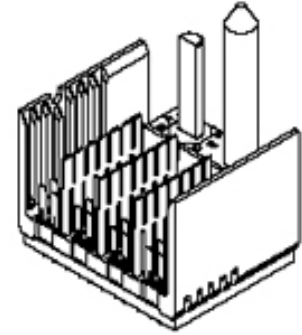
UL E29179

General

Product Family Backplane Connectors
Series [75235](#)
Application Backplane
Application Tooling Documents TM-622022099
Comments Right Guide Header, Keying Position B, Right Guide Header, Keying Position B
Component Type PCB Header
Overview [GbX Backplane Connector System](#)
Product Name GbX
UPC 822350174503

Physical

Circuits (Loaded) 80
Circuits (maximum) 80
Color - Resin Gray (Dark)
Durability (mating cycles max) 200
First Mate / Last Break No
Flammability 94V-0
Guide to Mating Part Yes
Keying to Mating Part Yes
Material - Metal High Performance Alloy (HPA), Stainless Steel
Material - Plating Mating Gold
Material - Plating Termination Tin-Lead
Material - Resin High Temperature Thermoplastic
Net Weight 4.537/g
Number of Columns 10
Number of Pairs 4
Number of Rows 8
Orientation Vertical
PC Tail Length 2.20mm
PCB Locator No
PCB Retention Yes
PCB Thickness - Recommended 1.60mm
Packaging Type Tray
Pitch - Mating Interface 1.85mm
Pitch - Termination Interface 1.85mm
Plating min - Mating 0.762µm
Plating min - Termination 0.762µm
Polarized to PCB No
Stackable Yes
Surface Mount Compatible (SMC) Yes
Temperature Range - Operating 105°C
Termination Interface: Style Through Hole - Compliant Pin



Series image - Reference only

EU ELV

Not Relevant

EU RoHS

Not Reviewed

REACH SVHC

Not Reviewed

Halogen-Free

Status

Not Reviewed

For more information, please visit [Contact US](#)

China ROHS

Not Reviewed

ELV

Not Relevant

RoHS Phthalates

Not Reviewed

Search Parts in this Series

[75235](#) Series

Mates With

[75220](#) GbX Daughtercard

Application Tooling | FAQ

Tooling specifications and manuals are found by selecting the products below. Crimp Height Specifications are then contained in the Application Tooling Specification document.

Global

Description

Product #

Insertion Tool, 4-Pair [622022000](#)
by 10-Wide
Insertion Tool, 4-pair [622022010](#)
by 20-Wide
Single Pin Repair Tool [622022090](#)
Shield Removal Tool [622022100](#)

Electrical

Current - Maximum per Contact	1.0A
Data Rate	8.0 Gbps
Real Signals (per 25mm)	108
Shield Type	Ground Plane Shield
Shielded	Yes
Voltage - Maximum	120V AC (RMS)/DC

Solder Process Data

Lead-free Process Capability	N/A
------------------------------	-----

Material Info**Reference - Drawing Numbers**

Packaging Specification	PK-70873-563
Product Specification	PS-75221-999-001
Sales Drawing	SD-75235-410

This document was generated on 09/21/2019

PLEASE CHECK WWW.MOLEX.COM FOR LATEST PART INFORMATION