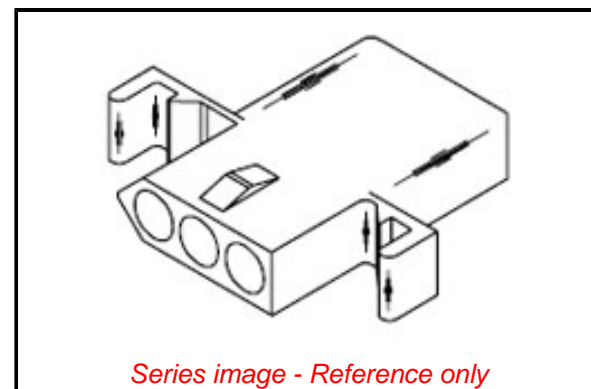


**PLEASE CHECK WWW.MOLEX.COM FOR LATEST PART INFORMATION**

**Part Number:** [0003091031](#)  
**Status:** **Active**  
**Overview:** Standard .093" Pin and Socket Connectors  
**Description:** 2.36mm Diameter Standard .093" Pin and Socket Receptacle Housing, 3 Circuits, Single Row, Natural

**Documents:**

<a href="#">3D Model</a>	<a href="#">Product Specification PS-42477-001 (PDF)</a>
<a href="#">3D Model (PDF)</a>	<a href="#">Product Specification PS-43660-9999-001 (PDF)</a>
<a href="#">Drawing (PDF)</a>	<a href="#">Packaging Specification PK-1396-002-001 (PDF)</a>
<a href="#">Product Specification PS-02-09 (PDF)</a>	<a href="#">RoHS Certificate of Compliance (PDF)</a>



**Agency Certification**

CSA	LR19980
UL	E29179

**General**

Product Family	Crimp Housings
Series	<a href="#">1396</a>
Application	Power, Wire-to-Wire
Comments	Standard Panel Mount Ears; 17.0A max. can be achieved when housing is used with 42477 or 42478 terminals, Standard Panel Mount Ears; 17.0A max. can be achieved when housing is used with 42477 or 42478 terminals
Overview	<a href="#">Standard .093" Pin and Socket Connectors</a>
Product Name	Standard .093"
UPC	800753615069

**Physical**

Circuits (maximum)	3
Color - Resin	Natural
Flammability	94V-2
Gender	Receptacle
Glow-Wire Capable	No
Lock to Mating Part	Yes
Net Weight	1.787/g
Number of Rows	1
Packaging Type	Bag
Panel Mount	Yes
Pitch - Mating Interface	5.03mm
Stackable	No
Temperature Range - Operating	-40° to +105°C

**Electrical**

Current - Maximum per Contact	14.0A
-------------------------------	-------

**Solder Process Data**

Lead-free Process Capability	N/A
------------------------------	-----

**Material Info**

Engineering Number	1396-R
--------------------	--------

**Reference - Drawing Numbers**

Packaging Specification	PK-1396-002-001
Product Specification	PS-02-09, PS-42477-001, PS-43660-9999-001
Sales Drawing	SD-1396-001, SD-1396-X

**EU ELV**

**Not Relevant**

**EU RoHS**

**Compliant**

**REACH SVHC**

Not Contained Per - ECHA\_01\_2020 (16 January 2020)

**Halogen-Free**

**Status**

**Low-Halogen**

For more information, please visit [Contact US](#)

China ROHS

ELV

RoHS Phthalates

**China RoHS**

Green Image

Not Relevant

Not Contained

**Search Parts in this Series**

[1396 Series](#)

**Mates With**

[03092032](#) , [03097032](#) , [3099](#)

**Use With**

[1189 Crimp Terminals](#), [1190 Crimp Terminals](#), [1376 Male PC Tail Terminals](#), [1377 Female PC Tail Terminals](#), [1380 Male Crimp Terminals](#), [1381 Female Crimp Terminals](#), [1433 Crimp Terminals](#), [1434 Male Crimp Terminals](#), [1973](#)

This document was generated on 02/21/2020

**PLEASE CHECK [WWW.MOLEX.COM](http://WWW.MOLEX.COM) FOR LATEST PART INFORMATION**