



Product availability: Non-Stock - Not normally stocked in distribution facility



Main

| | |
|---------------------------|-------------|
| Range compatibility | Lexium 28 |
| Product or component type | Servo motor |
| Device short name | BCH2 |

Complementary

| | |
|---------------------------|--|
| Maximum mechanical speed | 5000 rpm |
| [Us] rated supply voltage | 220 V |
| Phase | Single phase Three phase |
| Continuous stall current | 4.01 A |
| Continuous stall torque | 21.15 Lbf.in (2.39 N.m) LXM28... 4.5 A, 220 V, single phase 21.15 Lbf.in (2.39 N.m) LXM28... 4.5 A, 220 V, three phase 21.15 lbf.in (2.39 N.m) LXM28... 9 A, 110 V, single phase |
| Continuous power | 750 W |
| Peak stall torque | 63.37 Lbf.in (7.16 N.m) LXM28... 4.5 A, 220 V, single phase 63.37 Lbf.in (7.16 N.m) LXM28... 4.5 A, 220 V, three phase 63.37 lbf.in (7.16 N.m) LXM28... 9 A, 110 V, single phase |
| Nominal output power | 750 W LXM28... 4.5 A, 220 V, single phase 750 W LXM28... 4.5 A, 220 V, three phase 750 W LXM28... 9 A, 110 V, single phase |
| Nominal torque | 21.15 Lbf.in (2.39 N.m) LXM28... 4.5 A, 220 V, single phase 21.15 Lbf.in (2.39 N.m) LXM28... 4.5 A, 220 V, three phase 21.15 lbf.in (2.39 N.m) LXM28... 9 A, 110 V, single phase |
| Nominal speed | 3000 rpm LXM28... 4.5 A, 220 V, single phase 3000 rpm LXM28... 4.5 A, 220 V, three phase 3000 rpm LXM28... 9 A, 110 V, single phase |
| Maximum current Irms | 13.23 A LXM28... 0.75 kW, 220 V 13.23 A LXM28... 0.75 kW, 110 V |
| Maximum permanent current | 4.29 A |
| Product compatibility | LXM28... servo drive 0.75 kW, 220 V, single phase LXM28... servo drive 0.75 kW, 220 V, three phase LXM28... servo drive 0.75 kW, 110 V, single phase |
| Shaft end | Keyed |
| Shaft diameter | 0.75 in (19 mm) |
| Shaft length | 1.38 in (35 mm) |
| Key width | 0.24 in (6 mm) |
| Feedback type | 20 bits single turn absolute encoder |
| Holding brake | Without |
| Mounting support | Asian standard flange |
| Motor flange size | 3.15 in (80 mm) |
| Electrical connection | Free lead |
| Torque constant | 0.6 N.m/A 68 °F (20 °C) |

| | |
|---------------------------------------|-------------------------|
| Back emf constant | 36 V/krpm 68 °F (20 °C) |
| Rotor inertia | 1.19 kg.cm ² |
| Stator resistance | 1.5 Ohm 68 °F (20 °C) |
| Stator inductance | 6.1 mH 68 °F (20 °C) |
| Stator electrical time constant | 4.07 ms 68 °F (20 °C) |
| Maximum radial force Fr | 332 N 3000 rpm |
| Maximum axial force Fa | 115 N |
| Brake pull-in power | 10.2 W |
| Type of cooling | Natural convection |
| Length | 5.43 in (138 mm) |
| Number of motor stacks | 2 |
| Centring collar diameter | 2.76 in (70 mm) |
| Centring collar depth | 0.16 in (4 mm) |
| Number of mounting holes | 4 |
| Mounting holes diameter | 0.26 in (6.6 mm) |
| Circle diameter of the mounting holes | 3.54 in (90 mm) |
| Distance shaft shoulder-flange | 0.16 in (4 mm) |
| Net weight | 6.17 lb(US) (2.8 kg) |

Environment

| | |
|---------------------------------------|---------------------------------|
| IP degree of protection | IP54 IM B5, IM V1 IP50 IM V3 |
| Ambient air temperature for operation | -4...104 °F (-20...40 °C) |

Ordering and shipping details

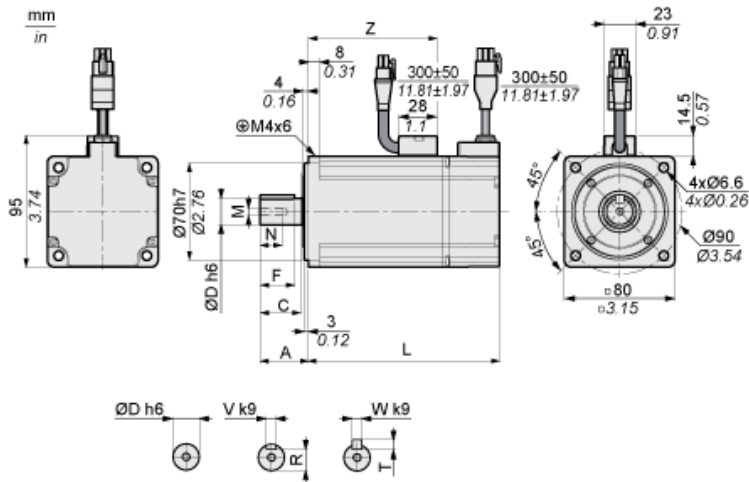
| | |
|---------------------|-----------------------------|
| Category | 18281 - LEXIUM 23/28 MOTORS |
| Discount Schedule | PC53 |
| GTIN | 03606480733826 |
| Package weight(Lbs) | 3.49 kg (7.7 lb(US)) |
| Returnability | No |
| Country of origin | CN |

Offer Sustainability

| | |
|----------------------------|---|
| Sustainable offer status | Green Premium product |
| California proposition 65 | WARNING: This product can expose you to chemicals including: Lead and lead compounds which is known to the State of California to cause Carcinogen & Reproductive harm. For more information go to www.p65warnings.ca.gov |
| REACH Regulation | REACH Declaration |
| REACH free of SVHC | Yes |
| EU RoHS Directive | Pro-active compliance (Product out of EU RoHS legal scope) EU RoHS Declaration |
| Mercury free | Yes |
| RoHS exemption information | Yes |
| China RoHS Regulation | China RoHS Declaration |
| Environmental Disclosure | Product Environmental Profile |
| Circularity Profile | No need of specific recycling operations |
| WEEE | The product must be disposed on European Union markets following specific waste collection and never end up in rubbish bins. |

Dimensions

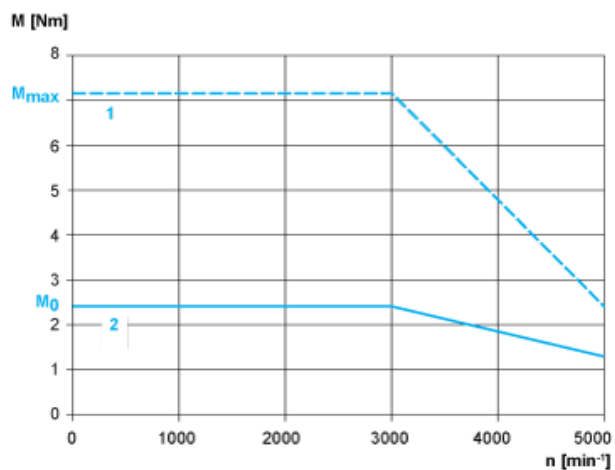
Dimensions of Motor



| | mm | in. |
|---------------------------|------|------|
| L (without holding brake) | 138 | 5.43 |
| L (with holding brake) | 178 | 7.01 |
| A | 35 | 1.38 |
| C | 29.5 | 1.16 |
| D | 19 | 0.75 |
| F | 25 | 0.98 |
| R | 15.5 | 0.61 |
| T | 6 | 0.24 |
| V | 6 | 0.24 |
| W | 6 | 0.24 |
| Z | 93 | 3.66 |

Torque/Speed Curves with 230 V Single/Three Phase Supply Voltage

Servo Motor with LXM28AU02●●● Servo Drive



- 1 : Peak torque
- 2 : Continuous torque