

Product availability: Non-Stock - Not normally stocked in distribution facility



Main

Range of product	Modicon M171
Product or component type	Display module
Display colour	Monochrome
Supply	External source

Complementary

Display type	7 segments LED + decimal point
Number of key	8
Color	Grey
[Us] rated supply voltage	12 V DC
Power consumption in W	5 W 0 W
Marking	CE
Local signalling	LED
Product compatibility	Logic controller M171 optimized
Height	2.91 in (74 mm)
Width	1.26 in (32 mm)
Depth	1.18 in (30 mm)
Net weight	0.09 lb(US) (0.042 kg)

Environment

Standards	RoHS compliant
Product certifications	REACH CURus
IP degree of protection	IP20

Ordering and shipping details

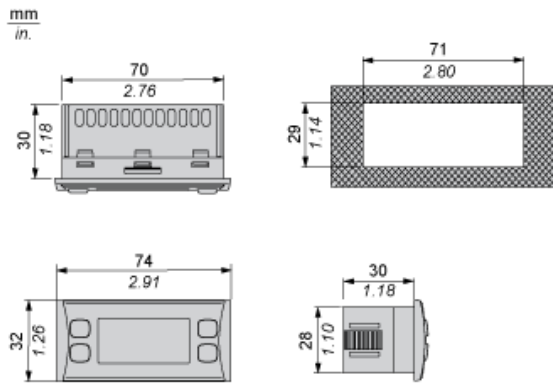
Category	22537 - M171 / M172 HVAC CONTROLLERS
Discount Schedule	PC12
GTIN	03606480752643
Package weight(Lbs)	0.17 kg (0.38 lb(US))
Returnability	No
Country of origin	IT

The information provided in this documentation contains general descriptions and/or technical characteristics of the performance of the products contained herein. This documentation is not intended as a substitute for and is not to be used for determining suitability or reliability of these products for specific user applications. It is the duty of any such user or integrator to perform the appropriate and complete risk analysis, evaluation and testing of the products with respect to the relevant specific application or use thereof. Neither Schneider Electric Industries SAS nor any of its affiliates or subsidiaries shall be responsible or liable for misuse of the information contained herein.

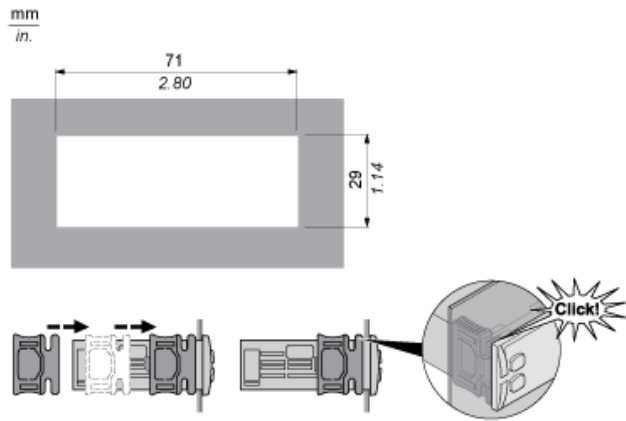
Offer Sustainability

California proposition 65	WARNING: This product can expose you to chemicals including: Lead and lead compounds which is known to the State of California to cause Carcinogen & Reproductive harm. For more information go to www.p65warnings.ca.gov
REACH Regulation	REACH Declaration
REACH free of SVHC	Yes
EU RoHS Directive	Pro-active compliance (Product out of EU RoHS legal scope) EU RoHS Declaration
Mercury free	Yes
RoHS exemption information	Yes
China RoHS Regulation	China RoHS Declaration
WEEE	The product must be disposed on European Union markets following specific waste collection and never end up in rubbish bins.

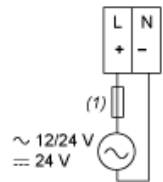
Dimensions



Mounting on Panel with the Special Brackets Provided



Power Supply



(1) Type T fuse (Controller: 1.25 A , Expansion: 1 A)

Wiring Diagram



BK : Black
BU : Blue
RD : Red