

# XMLK150P2D23

pressure sensor XMLK - 0..150psi - 1/4NPT - 4..20mA - M12 - set of 1

Product availability: Stock - Normally stocked in distribution facility



## Main

|                           |  |
|---------------------------|--|
| Range of product          | OsiSense XM  |
| Product or component type | Electronic pressure sensors  |
| Pressure sensor type      | Pressure transmitter   |
| Pressure sensor name      | XMLK   |
| Electrical circuit type   | Control circuit  |
| Pressure sensor size      | 1034.21 kPa (150 psi)  |
| Local display             | Without  |
| Controlled fluid          | Air 32...176 °F (0...80 °C)<br>Fresh water 32...176 °F (0...80 °C) |
| Fluid connection type     | 1/4" - 18 NPT (male)   |
| Electrical connection     | 1 male connector M12 4 pins  |
| [Us] rated supply voltage | 24 V DC SELV 8...33 V  |
| Current consumption       | < 20 mA  |
| Type of output signal     | Analogue   |
| Analogue output function  | 4...20 mA, 2-wire  |
| Quantity per set          | Set of 1   |
| Type of packing           | Individual   |

## Complementary

|   |   |
|---|---|
| Pressure setting range                  | 0.00... 1034.21 kPa (0...150 psi)   |
| Maximum permissible accidental pressure | 2068.43 kPa (300 psi)   |
| Destruction pressure                    | 3102.64 kPa (450 psi)   |
| Materials in contact with fluid         | Stainless steel type AISI 303<br>Ceramic<br>Nitrile (NBR)   |
| Operating position                      | Any position  |
| Protection type                         | Reverse polarity<br>Load short-circuit  |
| Electromagnetic compatibility           | Electrostatic discharge immunity test EN/IEC 61000-4-2 8 kV air, 6 kV contact<br>Susceptibility to electromagnetic fields EN/IEC 61000-4-3 10 V/m 80...1000 MHz<br>Electrical fast transient/burst immunity test EN/IEC 61000-4-4 2 kV<br>1.2/50 µs shock waves immunity test EN/IEC 61000-4-5 500 V 12 Ohm, 1 kV 42 Ohm<br>Radiated RF fields EN/IEC 61000-4-6 10 V 0.15...80 MHz<br>Immunity to magnetic fields EN/IEC 61000-4-8 30 A/m 50 Hz |
| [Uimp] rated impulse withstand voltage  | 0.5 kV  |
| Response time on output                 | < 5 ms  |
| Measurement accuracy                    | +/- 1 % of the measuring range  |
| Resolution                              | 0.1 % of the measuring range  |
| Drift of the sensitivity                | +/- 0.04 % of measuring range/°K  |
| Drift of the zero point                 | +/- 0.03 % of measuring range/°K  |
| Long term stability                     | +/- 1 % of the measuring range  |
| Mechanical durability                   | 10000000 cycles   |
| Net weight                              | 0.24 lb(US) (0.11 kg)   |
| Diameter                                | 1.42 in (36 mm)   |
| Length                                  | 2.58 in (65.5 mm)   |
| Scale type                              | Fixed differential  |

## Environment

|                                       |   |
|---------------------------------------|---|
| Standards                             | CE<br>EN/IEC 61326-2-3                  |
| Product certifications                | UL 508<br>EAC<br>RCM<br>CSA C22.2 No 14 |
| Protective treatment                  | TC                                      |
| Ambient air temperature for operation | 32...176 °F (0...80 °C)                 |
| Ambient air temperature for storage   | -13...176 °F (-25...80 °C)              |
| Vibration resistance                  | 20 gn 9...2000 Hz) EN/IEC 60068-2-6     |
| Shock resistance                      | 25 gn 11 ms EN/IEC 60068-2-27           |
| IP degree of protection               | IP65 EN/IEC 60529                       |
| NEMA degree of protection             | NEMA 4                                  |

## Ordering and shipping details

|                     |   |
|---------------------|---|
| Category            | 21561 - XMLK,XMLP PRESSURE TRANSMITTERS |
| Discount Schedule   | DS2                                     |
| GTIN                | 00785901633624                          |
| Package weight(Lbs) | 0.12 kg (0.27 lb(US))                   |
| Returnability       | Yes                                     |
| Country of origin   | CH                                      |

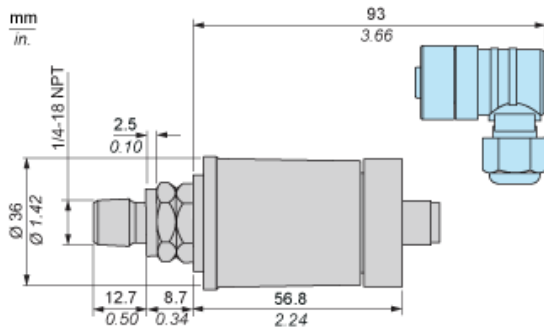
## Offer Sustainability

|                            |  |
|----------------------------|--|
| REACH Regulation           | <a href="#">REACH Declaration</a>  |
| REACH free of SVHC         | Yes  |
| EU RoHS Directive          | Pro-active compliance (Product out of EU RoHS legal scope) <a href="#">EU RoHS Declaration</a> |
| Mercury free               | Yes  |
| RoHS exemption information | <a href="#">Yes</a>  |

## Contractual warranty

|          |           |
|----------|-----------|
| Warranty | 18 months |
|----------|-----------|

Dimensions

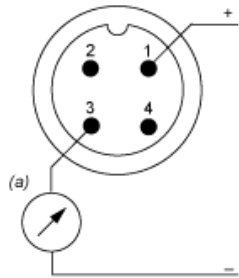


---

## Wiring Diagram

---

### 2-Wire Technique (4-20 mA)



(a) I out

---

Output Curves

---

