

Product availability: Stock - Normally stocked in distribution facility



Main

Range of product	Square D Pumptrol
Pressure sensor name	9013FH
Pressure sensor size	689.48 kPa (100 psi)
Value of setting	Off at 100 psi
Electrical circuit type	Power circuit
Product specific application	Control small electrically driven air compressors
Quantity per set	1
Type of packing	Individual

Complementary

Pressure sensor type	Electromechanical pressure switch
Controlled fluid	Air -30...125 °C (-22...257 °F)
Adjustable range on rising pressure	275.79...689.48 kPa (40...100 psi)
Approximate fixed differential	137.90 kPa (20 psi)
Destruction pressure	1516.85 kPa (220 psi)
Pressure actuator	Diaphragm
Pressure switch type of operation	Regulation between 2 thresholds
Scale type	Fixed differential
Setting	Internal
Local display	Without
Contacts type and composition	2 NC, snap action, DPST-DB, Form YY
Cable entry number	2 22.35 mm (0.88 in) cable entries with 0.84 in across flats UL 508
Electrical connection	Screw-clamp terminals 10 AWG Screw-clamp terminals 5.261 mm ²
Fluid connection type	0.25 inch NPSF internal UL 508
Short-circuit protection	20 A cartridge fuse gG
Materials in contact with fluid	Zinc plated steel or equivalent flange Nitrile (Buna-N) or equivalent rubber diaphragm
Material	Polypropylene cover Noryl thermoplastic resin or equivalent cover
Operating position	Any position
Motor power kW	1.5 KW 2 hp)230 V AC, 1 phase 1.1 KW 1.5 hp)115 V AC, 1 phase 1.5 KW 2 hp)115 V AC, 3 phase 2.2 KW 3 hp)230 V AC, 3 phase 0.75 KW 1 hp)460 V AC, 3 phase 0.75 kW 1 hp)575 V AC, 3 phase
Electrical durability	100000 cycles 10 cyc/mn
Mechanical durability	300000 cycles
Terminal block type	4 terminals
Maximum operating rate	10 cyc/mn
[Ui] rated insulation voltage	575 V UL 508
Net weight	0.45 kg (1 lb(US))
Repeat accuracy	+/- 3 %
Terminals description ISO n°1	L2-T2 L1-T1

Width	70.61 mm (2.78 in)
Height	71.12 mm (2.8 in)
Depth	95.50 mm (3.76 in)
Factory modification	-

Environment

Standards	UL 508 CE
Ambient air temperature for operation	-36...125 °C (-33...257 °F)
Ambient air temperature for storage	-36...125 °C (-33...257 °F)
Protective treatment	None
NEMA degree of protection	NEMA 1 UL 50
IP degree of protection	IP20 IEC 60529
Product certifications	UL listed file E12158 CSA file LR25490

Ordering and shipping details

Category	21533 - 9013 FHG (INDIVIDUAL-DISCOUNT CP7I)
Discount Schedule	CP7I
GTIN	00785901522928
Package weight(Lbs)	0.36 kg (0.8 lb(US))
Returnability	Yes
Country of origin	MX

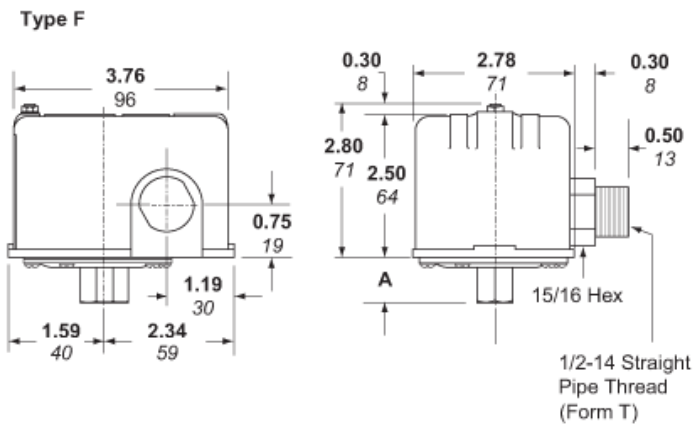
Offer Sustainability

Sustainable offer status	Green Premium product
REACH Regulation	REACH Declaration
EU RoHS Directive	Pro-active compliance (Product out of EU RoHS legal scope) EU RoHS Declaration
Mercury free	Yes
RoHS exemption information	Yes
Environmental Disclosure	Product Environmental Profile
Circularity Profile	End Of Life Information

Contractual warranty

Warranty	18 months
----------	-----------

Approximate Dimensions



Switch Type	A Dimension		in. mm
	in.	mm	
FSG1, FYG1	1-1/32	26	
FHG2, 12, 22, 32, 42, 52, FRG2, FSG2, FYG2	29/32	23	
FHG3, 13, 33, FRG3, FSG3, FYG3	1-9/32	33	
FHG9, 19, 29, 39, 49, 59, FSG9, FYG9	1-3/32	28	