

XB5S4B2L2

Monostable USB Biometric switch - connection by 2m cable

Product availability: Non-Stock - Not normally stocked in distribution facility



Main

| | |
|-------------------------------|---|
| Product or component type | Biometric switch |
| Product specific application | Materials handling Industrial machines |
| Device short name | XB5S |
| Bezel material | Dark grey plastic |
| Mounting diameter | 0.87 in (22 mm) |
| Output type | PNP |
| Sale per indivisible quantity | 1 |
| IP degree of protection | IP20 EN/IEC 60529 rear face) IP65 EN/IEC 60529 front face) |
| Type of operator | Momentary |
| Operator profile | Fingerprint reader |
| Connections - terminals | 1 pre-wired cable, 3 x 0.11 mm ² |
| Memory usage | 200 users with up to 2 fingerprints per user |

Complementary

| | |
|---------------------------|---|
| Software designation | XB5SSoft |
| Enclosure material | Polyamide PA66 |
| Cable insulation material | PvR |
| Operating position | Vertical surface installation Flat surface installation Horizontal position |
| Function of module | Monostable |
| Product weight | 0.45 lb(US) (0.202 kg) |
| Marking | CE |
| Port protocol | USB |
| Connector type | USB type A male 3.28 ft (1 m) |
| Local signalling | Output state indicator 1 LED green) Error 1 LED red) |
| Short-circuit protection | 250 mA external fuse gG |
| [Us] rated supply voltage | 24 V DC |
| Electrical connection | Free wire ends 3 6.56 ft (2 m) |
| Supply voltage limits | 20...30 V DC |
| Protection type | Reverse polarity Short-circuit Overload protection |
| Maximum switching current | 200 mA |
| [Ures] residual voltage | 1 V closed state |
| Current consumption | <= 70 mA no-load |
| Maximum delay first up | 3 s + 0.5 ms per user registered |
| Maximum delay recovery | 1.5 s |
| Maximum delay response | 1.5 s |

The information provided in this documentation contains general descriptions and/or technical characteristics of the performance of the products contained herein. This documentation is not intended as a substitute for and is not to be used for determining suitability or reliability of these products for specific user applications. It is the duty of any such user or integrator to perform the appropriate and complete risk analysis, evaluation and testing of the products with respect to the relevant specific application or use thereof. Neither Schneider Electric Industries SAS nor any of its affiliates or subsidiaries shall be responsible or liable for misuse of the information contained herein.

Environment

| | |
|---------------------------------------|--|
| Range of product | Harmony XB5S |
| Ambient air temperature for storage | -13...158 °F (-25...70 °C) |
| Ambient air temperature for operation | 23...122 °F (-5...50 °C) |
| NEMA degree of protection | NEMA 12 |
| Standards | IEC 61000-6-4 IEC 61000-6-2 |
| Product certifications | CSA UL |
| Vibration resistance | +/- 3 mm 5...9 Hz)IEC 60068-2-6 1 gn 9...500 Hz)IEC 60068-2-6 |
| Shock resistance | 50 gn 11 ms IEC 60068-2-27 |

Ordering and shipping details

| | |
|---------------------|--|
| Category | 22471 - BIOMETRIC PUSHBUTTON DO NOT NEGOT. |
| Discount Schedule | I |
| GTIN | 00785901438083 |
| Package weight(Lbs) | 0.20 kg (0.44 lb(US)) |
| Returnability | No |
| Country of origin | FR |

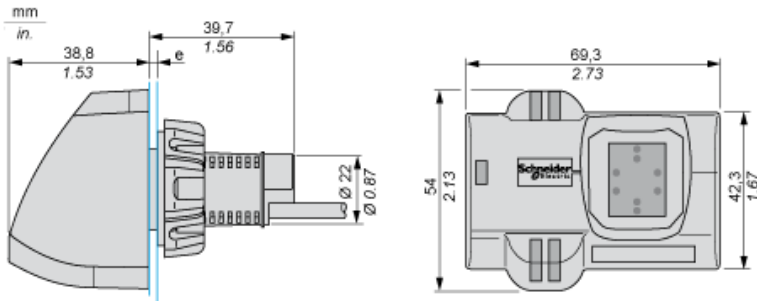
Offer Sustainability

| | |
|----------------------------|---|
| California proposition 65 | WARNING: This product can expose you to chemicals including: Lead and lead compounds which is known to the State of California to cause Carcinogen & Reproductive harm. For more information go to www.p65warnings.ca.gov |
| REACH Regulation | REACH Declaration |
| EU RoHS Directive | Pro-active compliance (Product out of EU RoHS legal scope) EU RoHS Declaration |
| Mercury free | Yes |
| RoHS exemption information | Yes |
| China RoHS Regulation | China RoHS Declaration |
| Environmental Disclosure | Product Environmental Profile |
| WEEE | The product must be disposed on European Union markets following specific waste collection and never end up in rubbish bins. |

Contractual warranty

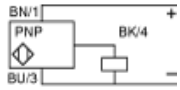
| | |
|----------|-----------|
| Warranty | 18 months |
|----------|-----------|

Dimensions of Biometric Switches



e: 1 to 6 mm / 0.04 to 0.24 in.

Cable with PNP Output



BU: Blue
BN: Brown
BK: Black