

PLEASE CHECK WWW.MOLEX.COM FOR LATEST PART INFORMATION

Part Number: [1301170052](#)
Status: **Active**
Overview: [Aero-Motive Box-Track Festoon Systems](#)
Description: Standard Box Track System, Joint Bracket

Documents:

[RoHS Certificate of Compliance \(PDF\)](#)

General

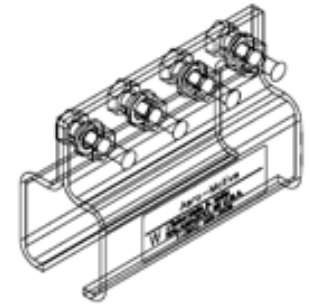
Product Family	Festoons
Series	130117
Component Type	Clamp - Standard Joint
Depth	N/A
Duty	Medium
Height	N/A
Length	N/A
Overview	Aero-Motive Box-Track Festoon Systems
Product Name	Aero-Motive
Type	Box Track - Standard
UPC	78678863155

Physical

Material - Metal	N/A
Material - Resin	Nylon
Net Weight	936.750/g
Packaging Type	Individual Carton
Saddle Radius	N/A
Thread Size	N/A
Wire/Cable Type	N/A

Material Info

Engineering Number	5200JB
--------------------	--------



Series image - Reference only

EU ELV

Not Reviewed

EU RoHS

Not Reviewed

REACH SVHC

Not Reviewed

Halogen-Free

Status

Not Reviewed

For more information, please visit [Contact US](#)

China ROHS

Not Reviewed

ELV

Not Reviewed

RoHS Phthalates

Not Reviewed

Search Parts in this Series

[130117 Series](#)