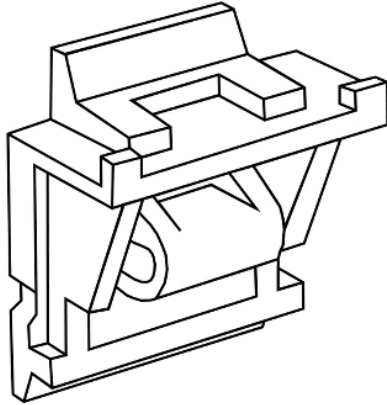




Product availability: Non-Stock - Not normally stocked in distribution facility



Main

Product or component type	Mounting adaptor
Accessory / separate part category	Mounting and fixing accessory
Sale per indivisible quantity	10

Complementary

Product compatibility	Socket Terminal adaptor
Mounting support	DIN rail
Net weight	0.01 lb(US) (0.005 kg)

Ordering and shipping details

Category	18073 - SPARE PARTS DISCOUNT I
Discount Schedule	CP2
GTIN	00785901446828
Package weight(Lbs)	0.01 kg (0.02 lb(US))
Returnability	No
Country of origin	FR

Offer Sustainability

Sustainable offer status	Green Premium product
California proposition 65	WARNING: This product can expose you to chemicals including: Nickel compounds and Di-isodecyl phthalate (DIDP) which is known to the State of California to cause Carcinogen and Reproductive harm. For more information go to www.p65warnings.ca.gov
REACH Regulation	REACH Declaration
REACH free of SVHC	Yes
EU RoHS Directive	Pro-active compliance (Product out of EU RoHS legal scope) EU RoHS Declaration
Toxic heavy metal free	Yes
Mercury free	Yes
RoHS exemption information	Yes
China RoHS Regulation	China RoHS Declaration
Environmental Disclosure	Product Environmental Profile
Circularity Profile	No need of specific recycling operations

Contractual warranty

Warranty	18 months
----------	-----------