

Product availability: Stock - Normally stocked in distribution facility



Main

Range of product	Modicon M221
Product or component type	Graphic display
Range compatibility	Modicon M221
Current consumption	40 mA 5 V DC via RJ45 connector
Maximum power consumption in W	1 W
Display type	Backlit colour STN LCD
Display colour	Monochrome
Display resolution	240 x 160 pixels
Number of key	4 configurable 6 for navigation

Complementary

Standards	EN/IEC 61131-2 EN/IEC 61010-2-201
Product certifications	CULus
Marking	CE
Mounting location	Front cabinet 0.87 in (22 mm) hole Bottom of cabinet 0.87 in (22 mm) hole mounting accessory
Connector type	RJ45 communication and power supply
Height	4.96 in (126 mm)
Width	3.15 in (80 mm)
Depth	2.48 in (63 mm)
Net weight	0.37 lb(US) (0.17 kg)

Environment

Ambient air temperature for operation	5...122 °F (-15...50 °C)
Operating altitude	0...6561.68 ft (0...2000 m)
Storage altitude	0.00...6561.68 ft (0...2000 m)
Environmental characteristic	Corrosive gas free
Relative humidity	95 %, non-condensing transport) 95 %, non-condensing storage) 95 %, non-condensing operation)
Ambient air temperature for storage	-40...158 °F (-40...70 °C)
IP degree of protection	Front face IP65 Back part IP20
Pollution degree	2 EN/IEC 60664-1
Vibration resistance	1.5 mm 3...150 Hz) 2 gn

The information provided in this documentation contains general descriptions and/or technical characteristics of the performance of the products contained herein. This documentation is not intended as a substitute for and is not to be used for determining suitability or reliability of these products for specific user applications. It is the duty of any such user or integrator to perform the appropriate and complete risk analysis, evaluation and testing of the products with respect to the relevant specific application or use thereof. Neither Schneider Electric Industries SAS nor any of its affiliates or subsidiaries shall be responsible or liable for misuse of the information contained herein.

Shock resistance	15 gn 11 ms
Electromagnetic compatibility	<p>Electrostatic discharge 8 kV air discharge) EN/IEC 61000-4-2</p> <p>Electrostatic discharge 4 kV contact discharge) EN/IEC 61000-4-2</p> <p>Radiated radio-frequency electromagnetic field immunity test 10 V/m 80 MHz...1 GHz) EN/IEC 61000-4-3</p> <p>Radiated radio-frequency electromagnetic field immunity test 3 V/m 1.4...2 GHz) EN/IEC 61000-4-3</p> <p>Radiated radio-frequency electromagnetic field immunity test 1 V/m 2...3 GHz) EN/IEC 61000-4-3</p> <p>Magnetic field at power frequency 30 A/m 50/60 Hz) EN/IEC 61000-4-8</p> <p>Electrical fast transient/burst immunity test 1 kV EN/IEC 61000-4-4</p> <p>Surge immunity test 0.5 kV common mode) EN/IEC 61000-4-5</p> <p>Surge immunity test 0.5 kV differential mode) EN/IEC 61000-4-6</p> <p>Conducted RF disturbances 10 Vrms 0.15...80 MHz) EN/IEC 61000-4-6</p> <p>Disturbing field emission 10...150 kHz power lines (DC)) EN/IEC 55011</p> <p>Disturbing field emission 120...69 dBµV/m QP power lines (DC)) EN/IEC 55011</p> <p>Disturbing field emission 150...1500 kHz power lines (DC)) EN/IEC 55011</p> <p>Disturbing field emission 1.5...30 kHz power lines (DC)) EN/IEC 55011</p> <p>Disturbing field emission 30...230 MHz 10 m)class A EN/IEC 55011</p> <p>Disturbing field emission 230 MHz...1 GHz 10 m)class A EN/IEC 55011</p> <p>Disturbing field emission 79...63 dBµV/m QP power lines (DC)) EN/IEC 55011</p> <p>Disturbing field emission 63 dBµV/m QP power lines (DC)) EN/IEC 55011</p> <p>Disturbing field emission 40 dBµV/m QP 10 m)class A EN/IEC 55011</p> <p>Disturbing field emission 47 dBµV/m QP 10 m)class A EN/IEC 55011</p>

Ordering and shipping details

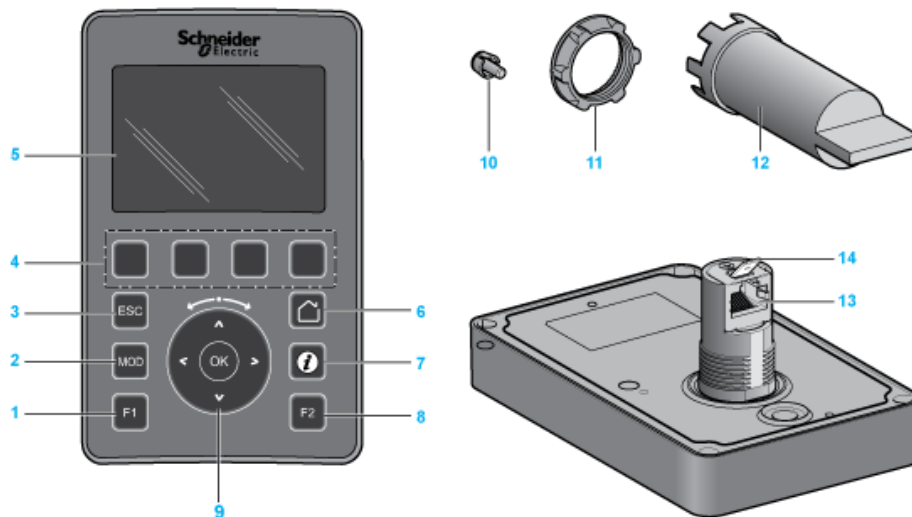
Category	22533 - M2XX PLC & ACCESSORIES
Discount Schedule	MSX
GTIN	00785901546412
Package weight(Lbs)	0.32 kg (0.71 lb(US))
Returnability	Yes
Country of origin	ID

Offer Sustainability

Sustainable offer status	Green Premium product
California proposition 65	WARNING: This product can expose you to chemicals including: Lead and lead compounds which is known to the State of California to cause Carcinogen & Reproductive harm. For more information go to www.p65warnings.ca.gov
REACH Regulation	REACH Declaration
EU RoHS Directive	Pro-active compliance (Product out of EU RoHS legal scope) EU RoHS Declaration
Mercury free	Yes
RoHS exemption information	Yes
China RoHS Regulation	China RoHS Declaration
Environmental Disclosure	Product Environmental Profile
Circularity Profile	End Of Life Information

Remote Graphic Display

Overview



- 1 : F1 key
- 2 : MOD key
- 3 : ESC key
- 4 : R1 to R4 keys
- 5 : Graphic screen
- 6 : Home key
- 7 : Information key
- 8 : F2 key
- 9 : Touch wheel/OK/Arrows
- 10 : Anti-rotation tee
- 11 : Installation nut
- 12 : Socket wrench (ZB5AZ905)
- 13 : RJ45 serial line (RS-485)
- 14 : Connector for functional ground (earth)

Remote Graphic Display

Dimensions

