

# XGCS850C201

## RFID compact smart antenna 13.56 MHz- Ethernet dual port communication

Product availability: Stock - Normally stocked in distribution facility



### Main

Range of product	OsiSense XG
Product or component type	Compact smart antenna
RFID compact station name	XGCS
RFID frequency	13.56 MHz
Design	80 x 93 x 40
Electrical connection	4 male power supply socket M8 4 female Ethernet socket 1 M12 4 female Ethernet socket 2 M12
Transmission rate	10...100 Mbit/s
Outer dimension	80 x 93 x 40 mm
Product compatibility	RFID microchip STM (CRIX4K) RFID microchip INSIDE (micropass) RFID microchip Texas (Tag-it HFI) RFID microchip Fujitsu (MB89R118 - MB89R119) RFID microchip NXP (SL2, SL1, Ultralight, Std 1K/4K, Desfire) RFID microchip Microelectronic (EM4135)
[Sn] nominal sensing distance	0.79...3.94 in (20...100 mm)
[Us] rated supply voltage	24 V DC Protective Extra Low Voltage

### Complementary

Communication port protocol	Ethernet IP/Modbus TCP
Communication port support	Ethernet
Associated tag type	ISO 14443 standard tags ISO 15693 standard tags Automatic detection of the type of tag
Supply voltage limits	19.2...29 V DC
Current consumption	< 150 mA
Status LED	Operation 1 LED red/green) RFID communication 1 LED red/green) Ethernet network activity 2 LEDs red/green) Status 1 LED red/green) Module Status 1 LED red/green)
Tightening torque	< 3 N.m
Marking	CE
Product weight	0.79 lb(US) (0.36 kg)

The information provided in this documentation contains general descriptions and/or technical characteristics of the performance of the products contained herein. This documentation is not intended as a substitute for and is not to be used for determining suitability or reliability of these products for specific user applications. It is the duty of any such user or integrator to perform the appropriate and complete risk analysis, evaluation and testing of the products with respect to the relevant specific application or use thereof. Neither Schneider Electric Industries SAS nor any of its affiliates or subsidiaries shall be responsible or liable for misuse of the information contained herein.

## Environment

Product certifications	UL, FCC
Standards	EN 50364 EN/IEC 61000-6-3 EN 62369-1 ETSI EN 300 330-1 RoHS compliant ETSI EN 301 489-1 ETSI EN 300 330-2 FCC CFR 47 part 15 ETSI EN 301 489-3
Ambient air temperature for operation	-13...158 °F (-25...70 °C)
Ambient air temperature for storage	-40...185 °F (-40...85 °C)
IP degree of protection	IP65 IEC 60529
Vibration resistance	2 mm 5...29.5 Hz)EN 60068-2-6 7 gn 29.5...150 Hz)EN 60068-2-6
Shock resistance	30 gn 11 ms EN 60068-2-27
IK degree of protection	IK02 EN 50102
Electromagnetic compatibility	Electrostatic discharge immunity test 6 kV contact discharge) 3 IEC 61000-4-2 Electrostatic discharge immunity test 8 kV air discharge) 3 IEC 61000-4-2 Electrical fast transient/burst immunity test 1 kV signal ports) 3 IEC 61000-4-4 Electrical fast transient/burst immunity test 2 kV power ports) 3 IEC 61000-4-4 Susceptibility to electromagnetic fields 10 V/m3 IEC 61000-4-3 1.2/50 µs shock waves immunity test 10 kV3 IEC 61000-4-5 Conducted RF disturbances 10 V3 IEC 61000-4-6 Magnetic field at power frequency 30 A/m4 IEC 61000-4-8

## Ordering and shipping details

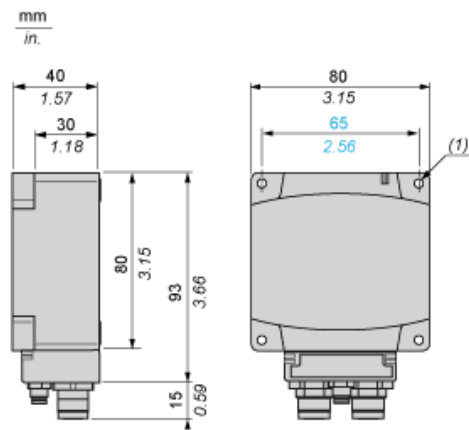
Category	22491 - SENS,IDENTIFICATION DEVICE (XGK)
Discount Schedule	DS2
GTIN	00785901707301
Package weight(Lbs)	0.39 kg (0.87 lb(US))
Returnability	Yes
Country of origin	FR

## Offer Sustainability

EU RoHS Directive	Pro-active compliance (Product out of EU RoHS legal scope) <a href="#">EU RoHS Declaration</a>
Mercury free	Yes
RoHS exemption information	<a href="#">Yes</a>

Dimensions

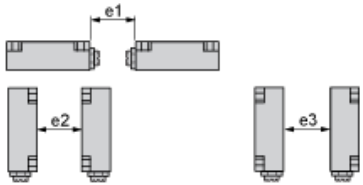
Compact Smart Antennas



(1) 4 x Ø 5.5. For CHC type screws

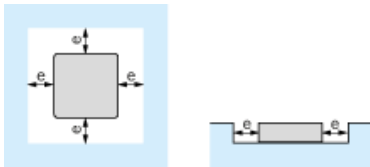
Minimum Mounting Distances

Distance Between Smart Antennas



Tag	e1	e2	e3
XGHB90E340 XGHB520246	430	750	280
XGHB221346	280	530	260
XGHB320***	310	540	240
XGHB211345 XGHB123345	200	370	170
XGHB44***	310	400	160

Minimum Mounting Distances in a Metal Structure

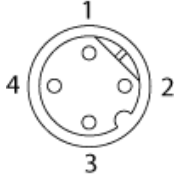


(e) ≥ 20 mm.

Wiring Diagram

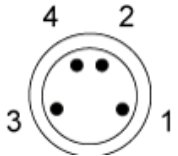
Ethernet Connections

Socket to Ethernet cabling (M12 connectors)



Pin no.	Signal
1	TD+
2	TD-
3	RD+
4	RD-

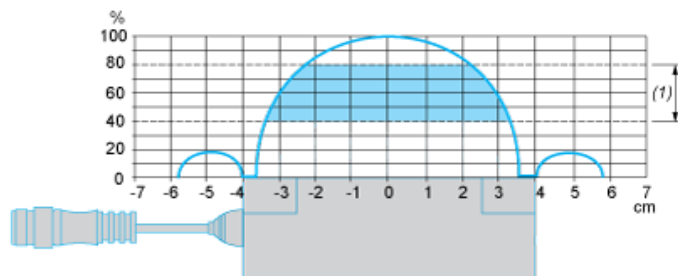
Socket to power supply cabling (M8 connector)



Pin no.	Signal
1	+ 24 VDC
2	NC
3	0 VDC
4	NC

Curves

Dialogue Zones of Compact Smart Antennas



(1) Recommended movement zone: between 0.4 and 0.8 Pn.