

Product availability: Non-Stock - Not normally stocked in distribution facility



Main

| | |
|---|---|
| Range of product | OsiSense XM |
| Product or component type | Electromechanical pressure sensor |
| Pressure sensor type | Electromechanical pressure sensor |
| Device short name | XMLB |
| Pressure sensor size | 507.63 psi (35 bar) |
| Controlled fluid | Air 32...158 °F (0...70 °C) Fresh water 32...158 °F (0...70 °C) Hydraulic oil 32...158 °F (0...70 °C) |
| Fluid connection type | 1/4" - 18 NPTF (female) |
| Electrical connection | Screw-clamps terminals, 1 x 0.5...2 x 2.5 mm ² |
| AWG gauge | AWG 20...AWG 14 |
| Cable entry | Cable gland 0.28...0.51 in (7...13 mm) |
| Contacts type and composition | 1 C/O |
| Product specific application | - |
| Pressure switch type of operation | Regulation between 2 thresholds |
| Electrical circuit type | Control circuit |
| Scale type | Adjustable differential |
| Local display | With |
| Adjustable range of switching point on rising pressure | 50.76...507.63 psi (3.5...35 bar) |
| Adjustable range of switching point on falling pressure | 26.11...470.65 psi (1.8...32.45 bar) |
| Possible differential maximum at high setting | 290.08 psi (20 bar) |
| Maximum permissible accidental pressure | 1160.30 psi (80 bar) |
| Destruction pressure | 2320.60 psi (160 bar) |
| Pressure actuator | Diaphragm |
| Materials in contact with fluid | Brass Zinc alloy Nitrile |
| Enclosure material | Zinc alloy |
| Line Rated Current | 3 A, B300, AC-15 (U _e = 120 V)EN/IEC 60947-5-1 1.5 A, B300, AC-15 (U _e = 240 V)EN/IEC 60947-5-1 0.1 A, R300, DC-13 (U _e = 250 V)EN/IEC 60947-5-1 |

Complementary

| | |
|---|--|
| Possible differential minimum at low setting | 24.66 psi (1.7 bar) - 0.5 bar, + 0.7 bar) |
| Possible differential minimum at high setting | 36.98 psi (2.55 bar) - 0.5 bar, + 0.7 bar) |
| Maximum permissible pressure - per cycle | 652.67 psi (45 bar) |
| Terminal block type | 4 terminals |
| Maximum operating rate | 120 cyc/mn |
| Repeat accuracy | 2 % |

| | |
|--|---|
| [Ui] rated insulation voltage | 300 V UL 508 500 V EN/IEC 60947-1 300 V CSA C22.2 No 14 |
| [Uimp] rated impulse withstand voltage | 6 kV EN/IEC 60947-1 |
| Auxiliary contacts operation | Snap action |
| Contacts material | Silver contacts |
| Maximum resistance across terminals | 25 MOhm IEC 255-7 category 3 25 mOhm NF C 93-050 method A |
| Short-circuit protection | 10 A cartridge fuse gG (gl) |
| Mechanical durability | 5000000 cycles |
| Setting | External |
| Height | 4.45 in (113 mm) |
| Depth | 2.95 in (75 mm) |
| Width | 1.38 in (35 mm) |
| Net weight | 1.58 lb(US) (0.715 kg) |



Environment

| | |
|---------------------------------------|---|
| Standards | EN/IEC 60947-5-1 CE UL 508 CSA C22.2 No 14 |
| Product certifications | LROS (Lloyds register of shipping) UL CSA CCC BV EAC |
| Protective treatment | TC standard version |
| Ambient air temperature for operation | -13...158 °F (-25...70 °C) |
| Ambient air temperature for storage | -40...158 °F (-40...70 °C) |
| Operating position | Any position |
| Vibration resistance | 4 gn 30...500 Hz)IEC 60068-2-6 |
| Shock resistance | 50 gn IEC 60068-2-27 |
| Electrical shock protection class | Class I IEC 1140 Class I IEC 536 Class I NF C 20-030 |
| IP degree of protection | IP66 EN/IEC 60529 |

Ordering and shipping details

| | |
|---------------------|--------------------------------------|
| Category | 22661 - XMLA,B,C,D PRESSURE SWITCHES |
| Discount Schedule | DS2 |
| GTIN | 00785901765462 |
| Package weight(Lbs) | 0.74 kg (1.63 lb(US)) |
| Returnability | No |
| Country of origin | CZ |

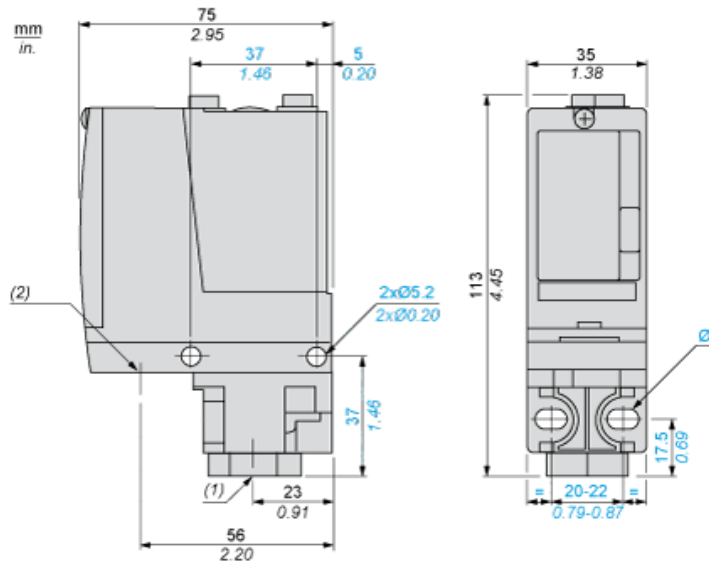
Offer Sustainability

| | |
|----------------------------|--|
| Sustainable offer status | Green Premium product |
| REACH Regulation |  REACH Declaration |
| EU RoHS Directive | Pro-active compliance (Product out of EU RoHS legal scope)  EU RoHS Declaration |
| Mercury free | Yes |
| RoHS exemption information |  Yes |
| Environmental Disclosure |  Product Environmental Profile |
| Circularity Profile | No need of specific recycling operations |

Contractual warranty

| | |
|----------|-----------|
| Warranty | 18 months |
|----------|-----------|

Dimensions



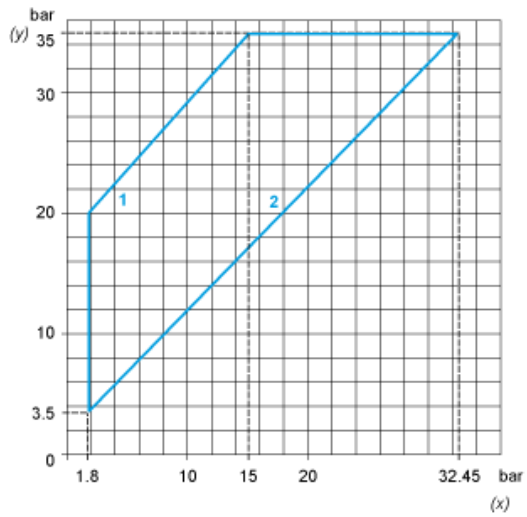
- (1) 1 fluid entry, tapped 1/4" NPTF
(2) 1 electrical connections entry, tapped 1/2" NPT
 \varnothing : 2 elongated holes $\varnothing 5.2 \times 6.7$

Wiring Diagram

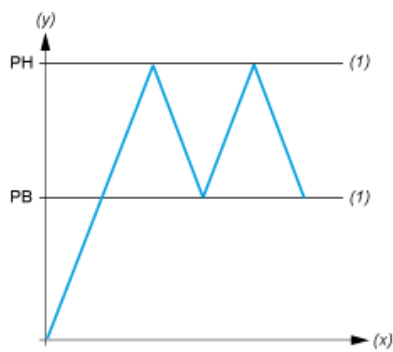
Terminal Model



Operating Curves



- (y) Rising pressure
- (x) Falling pressure
- 1 : Maximum differential
- 2 : Minimum differential



- (y) Pressure
- (x) Time
- (1) Adjustable value
- PH : High point
- PB : Below point