

Product availability: Stock - Normally stocked in distribution facility



Main

| | |
|---------------------------|-------------|
| Range compatibility | Lexium 28 |
| Product or component type | Servo motor |
| Device short name | BCH2 |

Complementary

| | |
|---------------------------|-------------------------------------------------------------------------------------------------------------------------------------------------------------------------------------------------------------------------------------------------------------------------------------------------------------------|
| Maximum mechanical speed | 5000 rpm |
| [Us] rated supply voltage | 220 V |
| Phase | Single phase Three phase |
| Continuous stall current | 2.19 A |
| Continuous stall torque | 11.24 Lbf.in (1.27 N.m) LXM26D 2.6 A, 220 V, single phase 11.24 Lbf.in (1.27 N.m) LXM26D 2.6 A, 220 V, three phase 11.24 Lbf.in (1.27 N.m) LXM28... 2.6 A, 220 V, single phase 11.24 Lbf.in (1.27 N.m) LXM28... 2.6 A, 220 V, three phase 11.24 lbf.in (1.27 N.m) LXM28... 5.7 A, 110 V, single phase |
| Continuous power | 400 W |
| Peak stall torque | 33.72 Lbf.in (3.81 N.m) LXM26D 2.6 A, 220 V, single phase 33.72 Lbf.in (3.81 N.m) LXM26D 2.6 A, 220 V, three phase 33.72 Lbf.in (3.81 N.m) LXM28... 2.6 A, 220 V, single phase 33.72 Lbf.in (3.81 N.m) LXM28... 2.6 A, 220 V, three phase 33.72 lbf.in (3.81 N.m) LXM28... 5.7 A, 110 V, single phase |
| Nominal output power | 400 W LXM26D 2.6 A, 220 V, single phase 400 W LXM26D 2.6 A, 220 V, three phase 400 W LXM28... 2.6 A, 220 V, single phase 400 W LXM28... 2.6 A, 220 V, three phase 400 W LXM28... 5.7 A, 110 V, single phase |
| Nominal torque | 11.24 Lbf.in (1.27 N.m) LXM26D 2.6 A, 220 V, single phase 11.24 Lbf.in (1.27 N.m) LXM26D 2.6 A, 220 V, three phase 11.24 Lbf.in (1.27 N.m) LXM28... 2.6 A, 220 V, single phase 11.24 Lbf.in (1.27 N.m) LXM28... 2.6 A, 220 V, three phase 11.24 lbf.in (1.27 N.m) LXM28... 5.7 A, 110 V, single phase |
| Nominal speed | 3000 rpm LXM26D 2.6 A, 220 V, single phase 3000 rpm LXM26D 2.6 A, 220 V, three phase 3000 rpm LXM28... 2.6 A, 220 V, single phase 3000 rpm LXM28... 2.6 A, 220 V, three phase 3000 rpm LXM28... 5.7 A, 110 V, single phase |
| Maximum current Irms | 7.76 A LXM28... 0.4 kW, 220 V 7.76 A LXM28... 0.4 kW, 110 V |
| Maximum permanent current | 2.5 A |
| Product compatibility | LXM26D servo drive 0.4 kW, 220 V, single phase LXM26D servo drive 0.4 kW, 220 V, three phase LXM28... servo drive 0.4 kW, 220 V, single phase LXM28... servo drive 0.4 kW, 220 V, three phase LXM28... servo drive 0.4 kW, 110 V, single phase |
| Shaft end | Keyed |
| Shaft diameter | 0.55 in (14 mm) |

| | |
|---------------------------------------|--------------------------------------|
| Shaft length | 1.18 in (30 mm) |
| Key width | 0.20 in (5 mm) |
| Feedback type | 20 bits single turn absolute encoder |
| Holding brake | With |
| Holding torque | 11.51 lbf.in (1.3 N.m) built-in |
| Mounting support | Asian standard flange |
| Motor flange size | 2.36 in (60 mm) |
| Electrical connection | Free lead |
| Torque constant | 0.58 N.m/A 68 °F (20 °C) |
| Back emf constant | 35 V/krpm 68 °F (20 °C) |
| Rotor inertia | 0.28 kg.cm ² |
| Stator resistance | 5.2 Ohm 68 °F (20 °C) |
| Stator inductance | 12 mH 68 °F (20 °C) |
| Stator electrical time constant | 2.31 ms 68 °F (20 °C) |
| Maximum radial force Fr | 200 N 3000 rpm |
| Maximum axial force Fa | 70 N |
| Brake pull-in power | 11.2 W |
| Type of cooling | Natural convection |
| Length | 6.50 in (165 mm) |
| Number of motor stacks | 2 |
| Centring collar diameter | 1.97 in (50 mm) |
| Centring collar depth | 0.22 in (5.5 mm) |
| Number of mounting holes | 4 |
| Mounting holes diameter | 0.22 in (5.5 mm) |
| Circle diameter of the mounting holes | 2.76 in (70 mm) |
| Distance shaft shoulder-flange | 0.22 in (5.5 mm) |
| Net weight | 4.41 lb(US) (2 kg) |

Environment

| | |
|---------------------------------------|---------------------------------|
| IP degree of protection | IP50 IM V3 IP65 IM B5, IM V1 |
| Ambient air temperature for operation | 32...104 °F (0...40 °C) |

Ordering and shipping details

| | |
|---------------------|-----------------------------|
| Category | 18281 - LEXIUM 23/28 MOTORS |
| Discount Schedule | PC53 |
| GTIN | 00785901826897 |
| Package weight(Lbs) | 2.31 kg (5.1 lb(US)) |
| Returnability | Yes |
| Country of origin | CN |

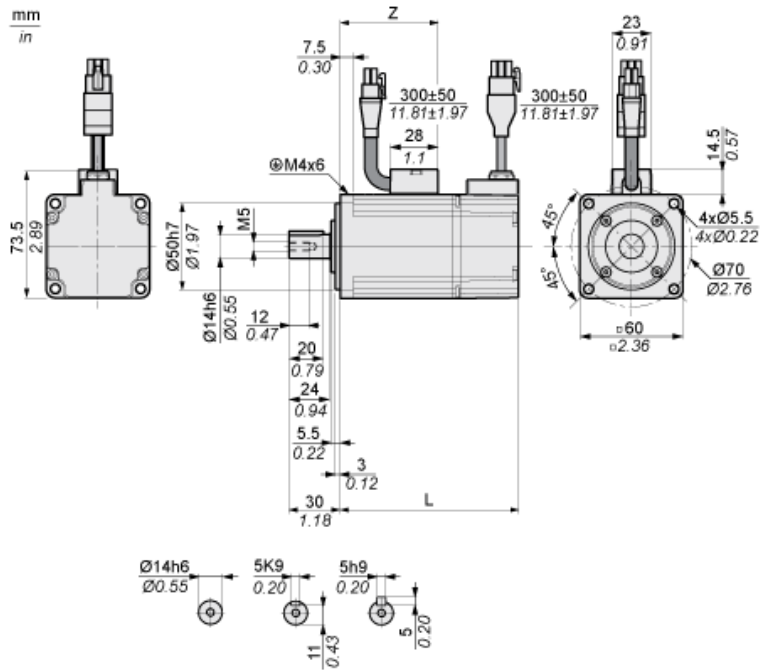
Offer Sustainability

| | |
|----------------------------|-----------------------------------------------------------------------------------------------------------------------------------------------------------------------------------------------------------------------------------------------------------------------|
| Sustainable offer status | Green Premium product |
| California proposition 65 | WARNING: This product can expose you to chemicals including: Lead and lead compounds which is known to the State of California to cause Carcinogen & Reproductive harm. For more information go to www.p65warnings.ca.gov |
| REACH Regulation | REACH Declaration |
| REACH free of SVHC | Yes |
| EU RoHS Directive | Pro-active compliance (Product out of EU RoHS legal scope) EU RoHS Declaration |
| Mercury free | Yes |
| RoHS exemption information | Yes |
| China RoHS Regulation | China RoHS Declaration |
| Environmental Disclosure | Product Environmental Profile |

| | |
|---------------------|------------------------------------------------------------------------------------------------------------------------------|
| Circularity Profile | No need of specific recycling operations |
| WEEE | The product must be disposed on European Union markets following specific waste collection and never end up in rubbish bins. |

Dimensions

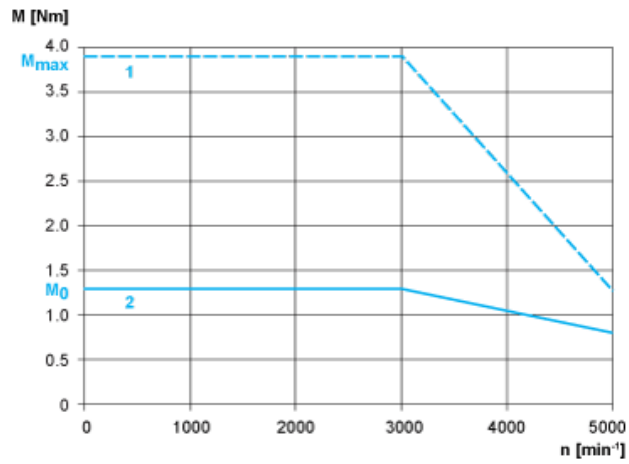
Dimensions of Motor



| | mm | in. |
|---------------------------|-----|------|
| L (without holding brake) | 129 | 5.08 |
| L (with holding brake) | 165 | 6.5 |
| Z | 82 | 3.23 |

Torque/Speed Curves with 230 V Single/Three Phase Supply Voltage

Servo Motor with LXM28AU04 Servo Drive



- 1 : Peak torque
- 2 : Continuous torque