

Product availability: Non-Stock - Not normally stocked in distribution facility



### Main

Range of product	Modicon TSX Micro automation platform
Product or component type	Discrete input module
Discrete input number	12 screw terminal block
Discrete input voltage	24 V DC positive or negative 19...30 V
Discrete input current	9 mA
Input voltage limits	$\geq 11$ V at state 1 $< 5$ V at state 0
Current state 0 guaranteed	$\leq 1.5$ mA
Current state 1 guaranteed	$\geq 2.5$ mA
Input impedance	2.4 Ohm
Response time	0.1...7.5 ms at state 0 to state 1 0.1...7.5 ms at state 1 to state 0

### Complementary

Standards	IEC 1131-2 Type 1
Input compatibility	2/3-wire proximity sensors PNP/NPN
Discrete input type	Resistive
Current consumption	123 mA positive 107 mA negative
Isolation voltage	1500 V AC 1 s

### Environment

Net weight	0.51 lb(US) (0.23 kg)
------------	-----------------------

### Ordering and shipping details

Category	22556 - TSX MICRO, PL7 MICRO & ACCESS
Discount Schedule	PC14
GTIN	00785901540427
Package weight(Lbs)	0.33 kg (0.73 lb(US))
Returnability	No
Country of origin	FR

### Offer Sustainability

EU RoHS Directive	Not applicable, out of EU RoHS legal scope
China RoHS Regulation	 <a href="#">China RoHS Declaration</a>
WEEE	The product must be disposed on European Union markets following specific waste collection and never end up in rubbish bins.

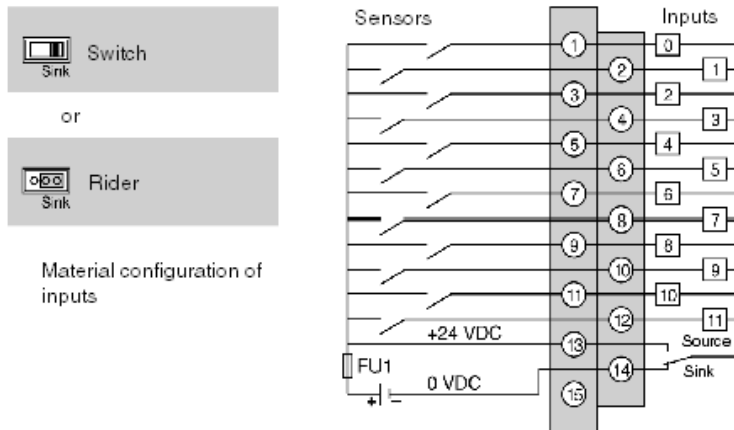
### Contractual warranty

Warranty	18 months
----------	-----------

Sensors/Inputs Connections

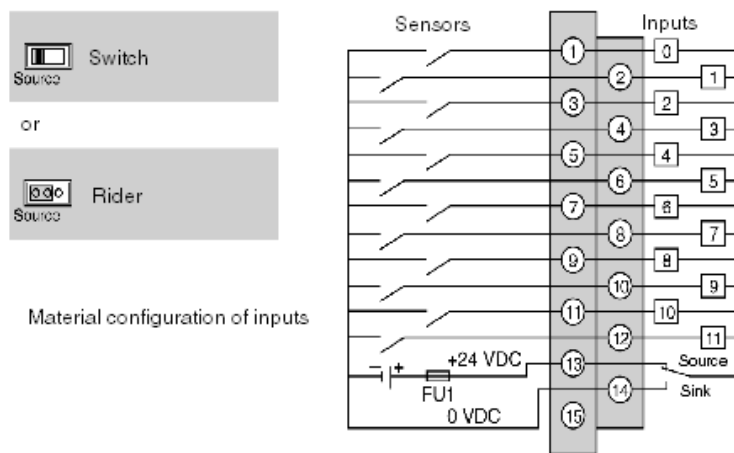
Wiring Diagrams

Positive logic inputs (Sink)



FU1 = 0.5A fuse with rapid fusion.

Negative logic input (Source)



FU1 = 0.5A fuse with rapid fusion.