



Product availability: Stock - Normally stocked in distribution facility



Main

Range of product	OsiSense XG
Product or component type	Compact smart antenna
RFID compact station name	XGCS
RFID frequency	13.56 MHz
Design	Flat form 80 x 80 x 26
Electrical connection	5 male remote connector M12, shielded cable 0.66 ft (0.2 m)
Transmission rate	9600 bauds...115200 bauds (automatic detection)
Outer dimension	80 x 80 x 26 mm
Product compatibility	RFID microchip STM (CRIX4K) RFID microchip Microelectronic (EM4135) RFID microchip Fujitsu (MB89R118 - MB89R119) RFID microchip INSIDE (micropass) RFID microchip NXP (SL2, SL1, Ultralight, Std 1K/4K, Desfire) RFID microchip Texas (Tag-it HFI)
[Sn] nominal sensing distance	0.79...3.94 in (20...100 mm)
[Us] rated supply voltage	24 V DC Protective Extra Low Voltage

Complementary

Communication port protocol	Modbus RTU Uni-Telway
Communication port support	RS485
Associated tag type	ISO 14443 standard tags ISO 15693 standard tags Automatic detection of the type of tag
Supply voltage limits	19.2...29 V DC
Current consumption	< 60 mA
Status LED	Communication network 1 LED dual colour) RFID communication 1 LED dual colour)
Tightening torque	< 3 N.m
Marking	CE
Net weight	0.57 lb(US) (0.257 kg)

Environment

Product certifications	UL, FCC
Standards	ETSI EN 301 489-3 ETSI EN 301 489-1 ETSI EN 300 330-1 ETSI EN 300 330-2
Ambient air temperature for operation	-13...158 °F (-25...70 °C)
Ambient air temperature for storage	-40...185 °F (-40...85 °C)
IP degree of protection	IP65 IEC 60529
Vibration resistance	2 mm 5...29.5 Hz)EN 60068-2-6 7 gn 29.5...150 Hz)EN 60068-2-6
Shock resistance	30 gn 11 ms EN 60068-2-27

IK degree of protection	IK02 EN 50102
Electromagnetic compatibility	Electrostatic discharge immunity test 6 kV contact discharge) 3 IEC 61000-4-2 Electrostatic discharge immunity test 8 kV air discharge) 3 IEC 61000-4-2 Electrical fast transient/burst immunity test 1 kV signal ports) 3 IEC 61000-4-4 Electrical fast transient/burst immunity test 2 kV power ports) 3 IEC 61000-4-4 Susceptibility to electromagnetic fields 10 V/m3 IEC 61000-4-3 1.2/50 µs shock waves immunity test 10 kV3 IEC 61000-4-5 Conducted RF disturbances 10 V3 IEC 61000-4-6 Magnetic field at power frequency 30 A/m4 IEC 61000-4-8

Ordering and shipping details

Category	22491 - SENS,IDENTIFICATION DEVICE (XGK)
Discount Schedule	DS2
GTIN	00785901928249
Package weight(Lbs)	0.25 kg (0.55 lb(US))
Returnability	Yes
Country of origin	FR

Offer Sustainability

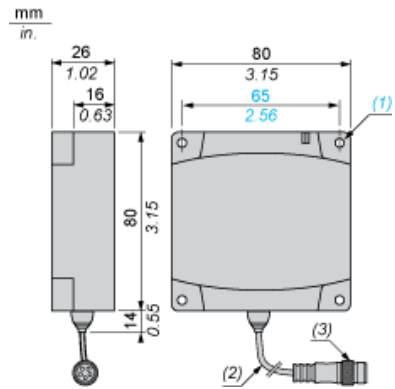
Sustainable offer status	Green Premium product
REACH Regulation	REACH Declaration
EU RoHS Directive	Pro-active compliance (Product out of EU RoHS legal scope) EU RoHS Declaration
Mercury free	Yes
RoHS exemption information	Yes
Environmental Disclosure	Product Environmental Profile
Circularity Profile	End Of Life Information

Contractual warranty

Warranty	18 months
----------	-----------

Dimensions

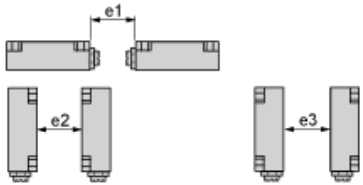
Compact Smart Antennas



- (1) 4 x $\text{Ø} 5.5$ for CHC type screws
- (2) Shielded cable (length: 20 cm)
- (3) A-coded, male 5-pin M12 connector

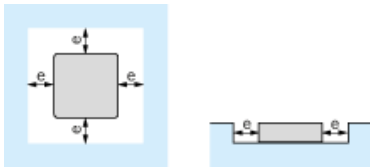
Minimum Mounting Distances

Distance Between Smart Antennas



Tag	e1	e2	e3
XGHB90E340 XGHB520246	430	750	280
XGHB221346	280	530	260
XGHB320***	310	540	240
XGHB211345 XGHB123345	200	370	170
XGHB44***	310	400	160

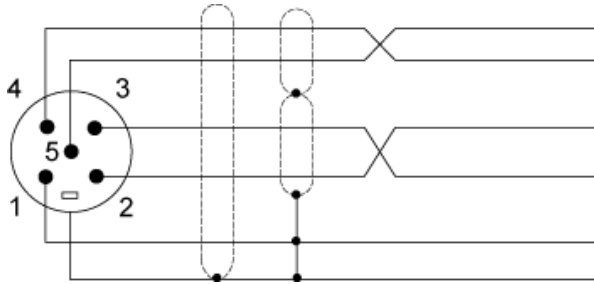
Minimum Mounting Distances in a Metal Structure



(e) ≥ 20 mm.

Wiring Diagram

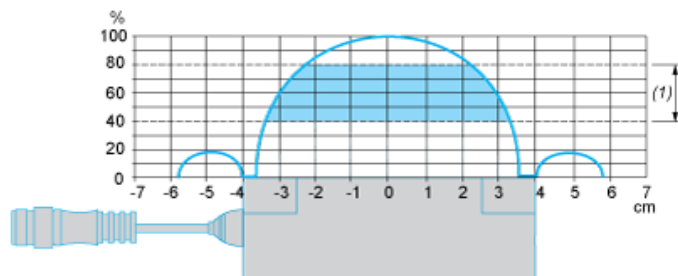
Modbus Connections



Pin no.	Modbus smart antenna signal
1	Drain (Modbus-SHLD)
2	+ 24 VDC
3	0 V/Modbus-GND
4	D0
5	D1
Connector casing	Shielding

Curves

Dialogue Zones of Compact Smart Antennas



(1) Recommended movement zone: between 0.4 and 0.8 Pn.