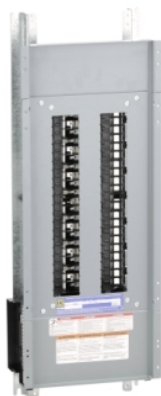




Product availability: Stock - Normally stocked in distribution facility



## Main

Panelboard Type	Main lugs
Branch Circuit Breaker Type	QOB QOB-VH QHB
Busbar Material	Copper

## Complementary

Number of spaces	42
Enclosure Nominal Height	965.20 mm (38 in)
Enclosure Nominal Width	508.00 mm (20 in)
Enclosure Nominal Width	146.05 Mm (5.75 in) NEMA 1 165.10 mm (6.5 in) NEMA 3R/5/12
Line Rated Current	225 A
[Iu] rated interrupted current	10 KA 22 KA 65 kA
Wiring configuration	4-wire
Number of Phases	3 phase
Voltage Rating	240 V AC 48 V DC
Connections - terminals	Lug line AWG 6...350 kcmil aluminium Lug neutral AWG 6...350 kcmil aluminium
Net weight	19.36 lb(US) (8.78 kg)
Tightening torque	40.01...50.01 Lbf.In (4.52...5.65 N.m) 0.02...0.10 in <sup>2</sup> (13.30...67.43 mm <sup>2</sup> ) AWG 6...AWG 2/0) 100.01 Lbf.In (11.3 N.m) 0.02...0.10 in <sup>2</sup> (13.30...67.43 mm <sup>2</sup> ) AWG 6...AWG 2/0) 274.99 Lbf.In (31.07 N.m) 0.02...0.27 in <sup>2</sup> (13.30...177.3 mm <sup>2</sup> ) AWG 6...350 kcmil) 274.99 Lbf.In (31.07 N.m) 0.02...0.20 in <sup>2</sup> (13.30...126.7 mm <sup>2</sup> ) AWG 6...250 kcmil) 274.99 lbf.in (31.07 N.m) 0.17...0.24 in <sup>2</sup> (107.2...152 mm <sup>2</sup> ) AWG 4...300 kcmil)
Width	265.18 mm (10.44 in)
Height	838.20 mm (33.00 in)

## Environment

Standards	CSA UL
-----------	-----------

## Ordering and shipping details

Category	09151 - NQ RTA PANELBOARDS
Discount Schedule	PE1A
GTIN	00785901507871
Package weight(Lbs)	9.30 kg (20.5 lb(US))
Returnability	Yes
Country of origin	MX

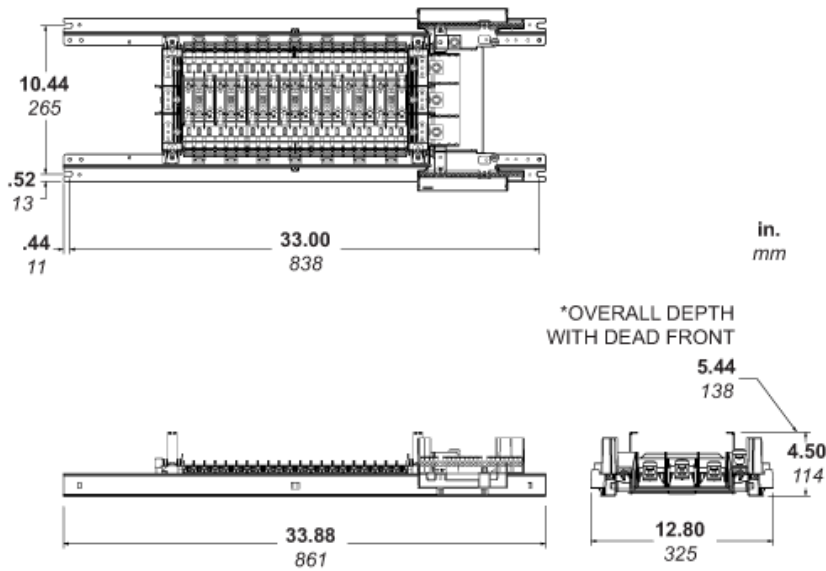
## Offer Sustainability

Sustainable offer status	Green Premium product
REACH Regulation	<a href="#">REACH Declaration</a>
REACH free of SVHC	Yes
EU RoHS Directive	Compliant <a href="#">EU RoHS Declaration</a>
Toxic heavy metal free	Yes
Mercury free	Yes
RoHS exemption information	<a href="#">Yes</a>
China RoHS Regulation	<a href="#">China RoHS Declaration</a>
Environmental Disclosure	<a href="#">Product Environmental Profile</a>
Circularity Profile	No need of specific recycling operations

## Contractual warranty

Warranty	18 months
----------	-----------

Approximate Dimensions



Catalog	Phase/Wire	Bus Thickness	Bus Material	Lug Size
NQ442L2C	3P 4W	.25	CU	#6-350 KCMIL
NQ42L2C	1P 3W	.25	CU	#6-350 KCMIL
NQ442L2	3P 4W	.25	AL	#6-350 KCMIL
NQ42L2	1P 3W	.25	AL	#6-350 KCMIL