



Product availability: Stock - Normally stocked in distribution facility



Main

Range of product	Square D Pumptrol
Pressure sensor name	9013GH
Pressure sensor size	1378.95 kPa (200 psi) 275.79...1172.11 kPa (40...170 psi))
Value of setting	145...175 psi
Electrical circuit type	Power circuit
Product specific application	Control electrically driven water pumps and air compressors
Quantity per set	1
Type of packing	Individual

Complementary

Pressure sensor type	Electromechanical pressure switch
Controlled fluid	Air -30...125 °C (-22...257 °F) Fresh water -30...125 °C (-22...257 °F)
Adjustable range on rising pressure	448.16...1378.95 kPa (65...200 psi)
Approximate adjustable differential	137.90...275.79 kPa (20...40 psi)
Destruction pressure	2068.43 kPa (300 psi)
Pressure actuator	Diaphragm
Pressure switch type of operation	Regulation between 2 thresholds
Scale type	Adjustable differential
Setting	Internal
Local display	Without
Contacts type and composition	2 NC, snap action, DPST-DB, Form YY
Cable entry number	3 knock-outs for 1/2" conduit UL 508
Electrical connection	Screw-clamp terminals 10 AWG Screw-clamp terminals 5.261 mm ²
Fluid connection type	0.25 inch NPSF internal UL 508
Short-circuit protection	20 A cartridge fuse gG
Materials in contact with fluid	Zinc plated steel or equivalent flange Nitrile (Buna-N) or equivalent rubber diaphragm
Material	Polypropylene cover Noryl thermoplastic resin or equivalent cover
Operating position	Any position
Motor power kW	1.5 KW 2 hp)115 V AC, 1 phase 2.2 KW 3 hp)115 V AC, 3 phase 2.2 KW 3 hp)230 V AC, 1 phase 0.75 KW 1 hp)115 V DC 0.75 KW 1 hp)230 V DC 3.75 KW 5 hp)230 V AC, 3 phase 3.7 KW 5 hp)460 V AC, 1 phase 3.7 KW 5 hp)460 V AC, 3 phase 3.7 KW 5 hp)575 V AC, 1 phase 3.7 kW 5 hp)575 V AC, 3 phase
Electrical durability	100000 cycles 10 cyc/mn
Mechanical durability	300000 cycles
Terminal block type	4 terminals
Maximum operating rate	10 cyc/mn
[Ui] rated insulation voltage	575 V UL 508

Net weight	1.02 kg (2.25 lb(US))
Repeat accuracy	+/- 3 %
Terminals description ISO n°1	L1-T1 L2-T2
Width	87.38 mm (3.44 in)
Height	137.16 mm (5.4 in)
Depth	98.55 mm (3.88 in)
Factory modification	-

Environment

Standards	UL 508 NSF ANSI 372 CE
Ambient air temperature for operation	-36...125 °C (-33...257 °F)
Ambient air temperature for storage	-36...125 °C (-33...257 °F)
Protective treatment	None
NEMA degree of protection	NEMA 1 UL 50
IP degree of protection	IP20 IEC 60529
Product certifications	UL listed file E12158 CSA file LR25490

Ordering and shipping details

Category	21536 - 9013 G COMMERCIAL PRESSURE SWITCH
Discount Schedule	CP7G
GTIN	00785901559702
Package weight(Lbs)	0.91 kg (2 lb(US))
Returnability	Yes
Country of origin	MX

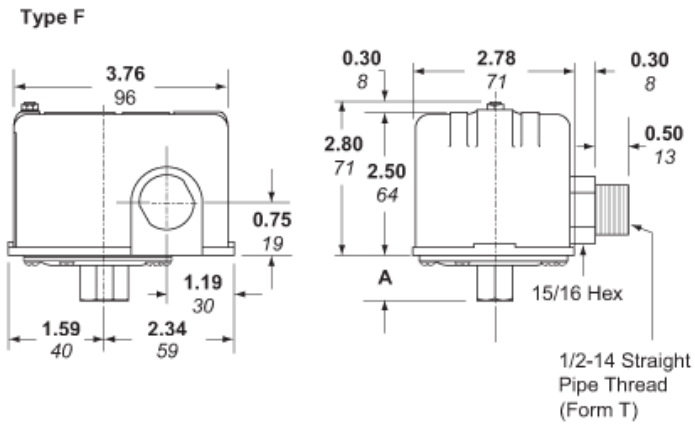
Offer Sustainability

Sustainable offer status	Green Premium product
REACH Regulation	REACH Declaration
EU RoHS Directive	Pro-active compliance (Product out of EU RoHS legal scope) EU RoHS Declaration
Mercury free	Yes
RoHS exemption information	Yes
Environmental Disclosure	Product Environmental Profile
Circularity Profile	End Of Life Information

Contractual warranty

Warranty	18 months
----------	-----------

Approximate Dimensions



Switch Type	A Dimension		in. mm
	in.	mm	
FSG1, FYG1	1-1/32	26	
FHG2, 12, 22, 32, 42, 52, FRG2, FSG2, FYG2	29/32	23	
FHG3, 13, 33, FRG3, FSG3, FYG3	1-9/32	33	
FHG9, 19, 29, 39, 49, 59, FSG9, FYG9	1-3/32	28	