

PLEASE CHECK WWW.MOLEX.COM FOR LATEST PART INFORMATION

Part Number: [0784532501](#)

Status: **Active**

Overview: [Impact Backplane Connector and Cable Assembly System](#)

Description: Impact 5 Pair, Right-Angle Power Header, Integrated Guide Module w/ESD clip, Module 1: Blade A1 & A2, B1 & B2 Length 6.90mm; Press-Fit, LCP, Glass Filled UL94-V0, Black, Tray Packaging, Lead-Free, key orientation E

Documents:

[3D Model](#)

[3D Model \(PDF\)](#)

[Drawing \(PDF\)](#)

[Product Specification PS-78213-001-001 \(PDF\)](#)

[RoHS Certificate of Compliance \(PDF\)](#)

Agency Certification

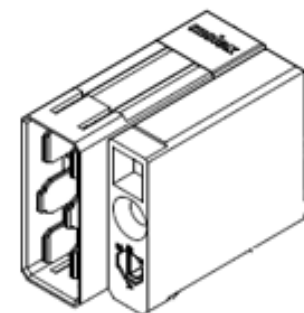
UL E29179

General

Product Family	Backplane Connectors
Series	78453
Application	Conventional, Coplanar
Application Tooling Documents	TM-622018799
Component Type	Power Header
Overview	Impact Backplane Connector and Cable Assembly System
Product Name	Impact
UPC	884982760424

Physical

Circuits (Loaded)	4
Circuits (maximum)	4
Color - Resin	Black
Durability (mating cycles max)	200
First Mate / Last Break	No
Flammability	94V-0
Guide to Mating Part	Yes
Keying to Mating Part	None
Material - Metal	Copper Alloy
Material - Plating Mating	Gold
Material - Plating Termination	Tin
Material - Resin	High Temperature Thermoplastic
Net Weight	17.793/g
Number of Columns	N/A
Number of Pairs	5
Number of Rows	2
Orientation	Right Angle
PC Tail Length	2.50mm
PCB Locator	No
PCB Retention	None
PCB Thickness - Recommended	1.60mm
Packaging Type	Tray
Pitch - Mating Interface	5.20mm
Pitch - Termination Interface	2.00mm, 3.20mm
Plating min - Mating	0.762µm
Plating min - Termination	2.540µm
Polarized to PCB	No
Stackable	No
Surface Mount Compatible (SMC)	No
Temperature Range - Operating	-55° to +85°C



Series image - Reference only

EU ELV

Not Relevant

EU RoHS

Compliant

REACH SVHC

Not Contained Per - ECHA_01_2020 (16 January 2020)

Halogen-Free

Status

Low-Halogen

For more information, please visit [Contact US](#)

China ROHS

ELV

RoHS Phthalates

China RoHS

Green Image

Not Relevant

Not Contained

Search Parts in this Series

[78453](#) Series

Mates With

[78216](#) Impact Vertical Receptacles

Application Tooling | FAQ

Tooling specifications and manuals are found by selecting the products below. Crimp Height Specifications are then contained in the Application Tooling Specification document.

Global

Description

Product #

Press-In Tool for Power Module Assembly	622018668
---	---------------------------

Termination Interface: Style Through Hole - Compliant Pin

Electrical

Current - Maximum per Contact	25.0A
Data Rate	N/A
Shield Type	N/A
Shielded	No
Voltage - Maximum	250V

Solder Process Data

Lead-freeProcess Capability	N/A
-----------------------------	-----

Material Info

Reference - Drawing Numbers

Product Specification	PS-78213-001-001
Sales Drawing	SD-78453-001-001
Symbol/Footprint Data	SYM-78453-2501

This document was generated on 03/11/2020

PLEASE CHECK WWW.MOLEX.COM FOR LATEST PART INFORMATION