



Product availability: Non-Stock - Not normally stocked in distribution facility



Main

| | |
|------------------------------|---|
| Range of product | Modicon M171/M172 |
| Product or component type | Controller |
| Product specific application | HVAC and pumping solution |
| Variant | Programmable |
| Total inputs/outputs | 14 |
| Discrete input number | 2 |
| Discrete output number | 1 relay outputs SPDT with independent common 3 relay outputs SPST with same common |
| Discrete output current | 2 A relay |
| Analogue input number | 2 configurable 3 analog input NTC |
| Analogue output number | 2 voltage 0...10 V 2 PWM/PPM 20 kHz, 12 V, 35 mA 1 current 0...20 mA/4...20 mA |

Complementary

| | |
|---------------------------|--|
| Number of port | 1 LAN expansion bus 1 RS485 - screw terminal block Modbus serial link) |
| Input/output number | 5 analog output 4 digital output 5 analog input |
| Discrete input logic | Sink or source (positive/negative) |
| Contacts usage | Volt-free contacts |
| Analogue input type | NTC temperature probe - 50...100 °C 0.1 °C Pt 1000 temperature probe - 50...400 °C 0.1 °C Current 0...20 mA/4...20 mA Voltage 0...1 V Voltage 0...10 V ratiometric) Voltage 0...5 V |
| Sensor power supply | 12 V DC 85 mA |
| [Us] rated supply voltage | 100...240 V |
| Width | 2.76 in (70.2 mm) |
| Height | 3.43 in (87 mm) |
| Depth | 2.43 in (61.6 mm) |
| Net weight | 0.42 lb(US) (0.19 kg) |

Ordering and shipping details

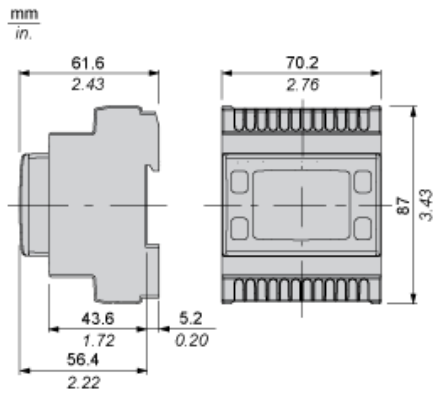
| | |
|---------------------|--------------------------------------|
| Category | 22537 - M171 / M172 HVAC CONTROLLERS |
| Discount Schedule | PC12 |
| GTIN | 03606480752735 |
| Package weight(Lbs) | 0.27 kg (0.6 lb(US)) |
| Returnability | No |
| Country of origin | IT |

The information provided in this documentation contains general descriptions and/or technical characteristics of the performance of the products contained herein. This documentation is not intended as a substitute for and is not to be used for determining suitability or reliability of these products for specific user applications. It is the duty of any such user or integrator to perform the appropriate and complete risk analysis, evaluation and testing of the products with respect to the relevant specific application or use thereof. Neither Schneider Electric Industries SAS nor any of its affiliates or subsidiaries shall be responsible or liable for misuse of the information contained herein.

Offer Sustainability

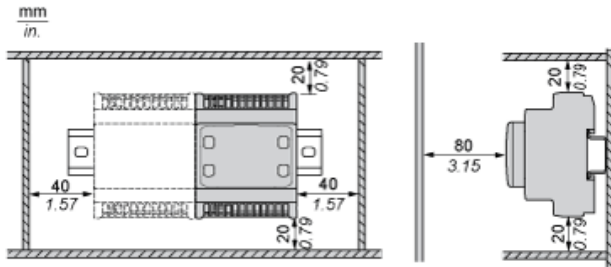
| | |
|----------------------------|--|
| Sustainable offer status | Green Premium product |
| REACH Regulation | REACH Declaration |
| REACH free of SVHC | Yes |
| EU RoHS Directive | Pro-active compliance (Product out of EU RoHS legal scope) EU RoHS Declaration |
| Mercury free | Yes |
| RoHS exemption information | Yes |
| China RoHS Regulation | China RoHS Declaration |
| Environmental Disclosure | Product Environmental Profile |
| Circularity Profile | End Of Life Information |
| WEEE | The product must be disposed on European Union markets following specific waste collection and never end up in rubbish bins. |

Dimensions

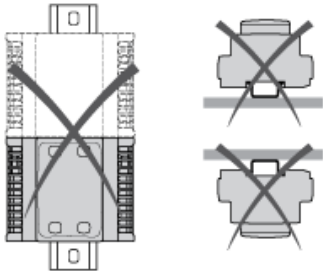


Mounting and Clearance

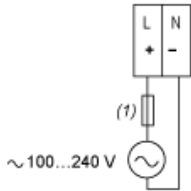
Clearance



Misplacement

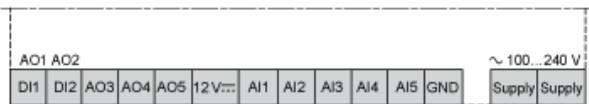
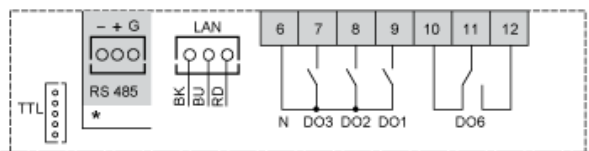


Power Supply



(1) Type T fuse 160 mA

Wiring Diagram



- N : Neutral
- GND Ground
- BK : Black
- BU : Blue
- RD : Red
- AI : Analogue input
- AO : Analogue output
- DI : Digital input
- DO : Digital output