



Product availability: Non-Stock - Not normally stocked in distribution facility



## Main

|                             |  |
|-----------------------------|--|
| Range of product            | Phaseo Dedicated   |
| Product or component type   | Power supply   |
| Power supply type           | Regulated switch mode  |
| Rated power in W            | 100 W  |
| Input voltage               | AC single phase<br>DC  |
| Output voltage              | 12 V DC  |
| Power supply output current | 8.3 A  |
| Operating position          | Any position   |
| Vibration resistance        | 2 gn 9...150 Hz)EN/IEC 61131-2<br>3.5 mm 5...9 Hz)EN/IEC 61131-2   |
| Name of test                | Conducted interference EN 61000-4-8 level 4<br>Electrostatic discharges EN/IEC 61000-4-2 level 3<br>Induced electromagnetic field EN/IEC 61000-4-6 level 3<br>Radiated electromagnetic field EN/IEC 61000-4-3 level 3<br>Rapid transient IEC 61000-4-4 level 3<br>Conducted/Radiated emissions EN 55022 class B<br>Conducted/Radiated emissions EN/IEC 55011<br>Emission EN/IEC 61000-6-3<br>Primary outage IEC 61000-4-11<br>Surge EN/IEC 61000-4-5 |

## Complementary

|                          |  |
|--------------------------|--|
| Input voltage limits     | 85...264 V   |
| Network frequency        | 47...63 Hz   |
| Inrush current           | 50 A 115 V AC<br>100 A 230 V AC  |
| Cos phi                  | 0.7...0.95   |
| Efficiency               | 80 %   |
| Power dissipation in W   | 25 W   |
| Current consumption      | 0.7 A 240 V<br>1.7 A 100 V   |
| Input protection type    | Integrated fuse (not interchangeable)  |
| Output voltage limits    | 10.8...13.2 V  |
| Line and load regulation | +/- 3 %  |
| Holding time             | >= 10 ms 100 V<br>>= 40 ms 240 V   |
| Output protection type   | Against overload 1.1...1.5 x In<br>Against overvoltage tripping if U > 1.25 x Un<br>Against short-circuits automatic reset<br>Thermal  |
| Connections - terminals  | Ground connection screw type terminals 1 x 4 mm <sup>2</sup> AWG 12<br>Input connection screw type terminals 2 x 4 mm <sup>2</sup> AWG 12<br>Output connection screw type terminals 4 x 4 mm <sup>2</sup> AWG 12 |
| Marking                  | CE   |
| Mounting support         | Reversible mounting bracket<br>Panel   |
| Operating altitude       | 6561.68 ft (2000 m)  |

The information provided in this documentation contains general descriptions and/or technical characteristics of the performance of the products contained herein. This documentation is not intended as a substitute for and is not to be used for determining suitability or reliability of these products for specific user applications. It is the duty of any such user or integrator to perform the appropriate and complete risk analysis, evaluation and testing of the products with respect to the relevant specific application or use thereof. Neither Schneider Electric Industries SAS nor any of its affiliates or subsidiaries shall be responsible or liable for misuse of the information contained herein.

|                                 |                             |
|---------------------------------|-----------------------------|
| Output coupling                 | Series<br>Parallel          |
| Overvoltage category            | II                          |
| Meantime between failure [MTBF] | 100000 h 104 °F (40 °C)     |
| Status LED                      | Output voltage 1 LED green) |
| Product weight                  | 1.41 lb(US) (0.64 kg)       |

## Environment

|                                       |  |
|---------------------------------------|--|
| Product certifications                | TUV 60950-1<br>UL 508<br>CCSAus<br>EAC<br>CSA 22-2 No 60950-1<br>RCM   |
| Environmental characteristic          | EMC EN 50081-1<br>EMC EN 50082-2<br>EMC EN 61000-6-3<br>EMC EN/IEC 61000-6-2<br>Safety EN/IEC 60950-1<br>Safety SELV<br>Low frequency harmonic currents EN/IEC 61000-3-2 |
| IP degree of protection               | IP20 EN/IEC 60950  |
| Ambient air temperature for operation | 32...113 °F (0...45 °C) without<br>113...140 °F (45...60 °C) with derating factor)   |
| Ambient air temperature for storage   | -13...185 °F (-25...85 °C)   |
| Relative humidity                     | 20...90 %  |
| Overvoltage category                  | Class I VDE 0106-1   |
| Pollution degree                      | 2  |
| Dielectric strength                   | 1500 V between input and ground<br>3000 V between input and output<br>500 V between output and ground  |

## Ordering and shipping details

|                     |                                       |
|---------------------|---------------------------------------|
| Category            | 22524 - ABL1 DEDICATED POWER SUPPLIES |
| Discount Schedule   | CP12                                  |
| GTIN                | 00785901425601                        |
| Package weight(Lbs) | 0.73 kg (1.62 lb(US))                 |
| Returnability       | No                                    |
| Country of origin   | CN                                    |

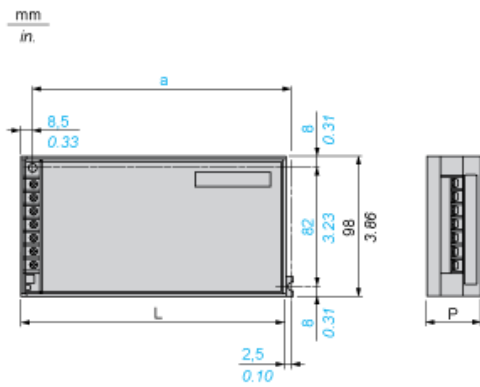
## Offer Sustainability

|                            |   |
|----------------------------|---|
| Sustainable offer status   | Green Premium product   |
| California proposition 65  | WARNING: This product can expose you to chemicals including: Lead and lead compounds which is known to the State of California to cause Carcinogen & Reproductive harm. For more information go to <a href="http://www.p65warnings.ca.gov">www.p65warnings.ca.gov</a> |
| REACH Regulation           | <a href="#">REACH Declaration</a>   |
| EU RoHS Directive          | Pro-active compliance (Product out of EU RoHS legal scope) <a href="#">EU RoHS Declaration</a>  |
| Mercury free               | Yes   |
| RoHS exemption information | <a href="#">Yes</a>   |
| China RoHS Regulation      | <a href="#">China RoHS Declaration</a>  |
| Environmental Disclosure   | <a href="#">Product Environmental Profile</a>   |
| Circularity Profile        | <a href="#">End Of Life Information</a>   |

## Contractual warranty

|          |           |
|----------|-----------|
| Warranty | 18 months |
|----------|-----------|

Dimensions



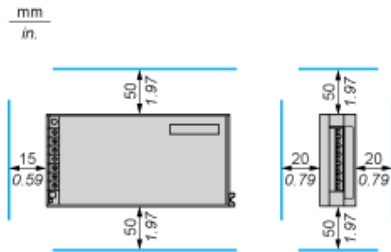
Dimensions in mm

| a   | L   | P  |
|-----|-----|----|
| 194 | 200 | 38 |

Dimensions in in.

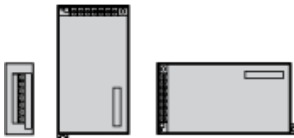
| a    | L    | P    |
|------|------|------|
| 7.64 | 7.87 | 1.50 |

Clearance



Mounting Way

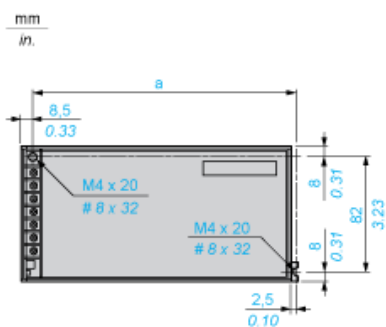
Mounting on Vertical Plane



Mounting on Horizontal Plane



Direct Mounting by 2 M4 x 20 Screws



Dimensions in mm

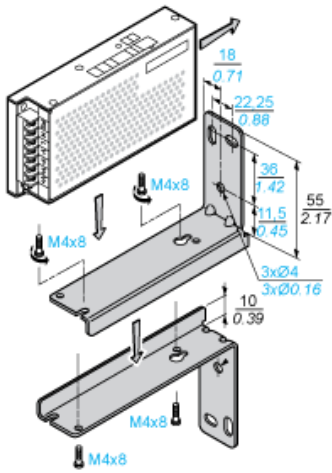
|     |
|-----|
| a   |
| 194 |

Dimensions in in

|      |
|------|
| a    |
| 7.64 |

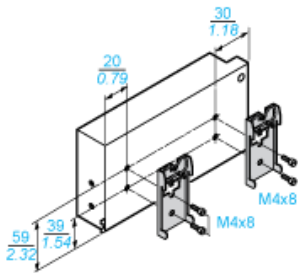
Mounting on the Back on ABL 1A01 Reversible Bracket by Three 4 mm Diameter Screws

mm  
in.

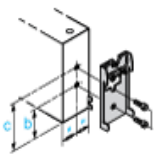


### Mounting on ABL 1A02 Clip-on Mounting on 35 mm Rail

mm  
in.



### Mounting by the Back



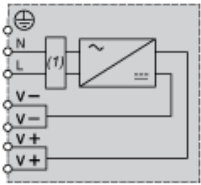
Dimensions in mm

| b  | c  |
|----|----|
| 38 | 58 |

Dimensions in in.

| b    | c    |
|------|------|
| 1.50 | 2.28 |

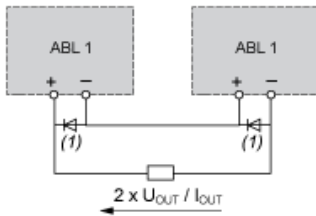
## Internal Wiring Diagram



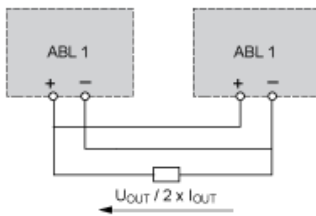
(1) Filter

## Series or Parallel Connection

### Series Connection



### Parallel Connection



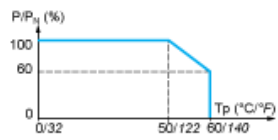
(1) 15 A/100 V Schottky diode

---

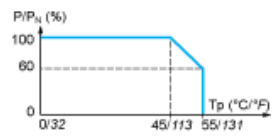
Derating Curves

---

Mounting on Vertical Plane



Mounting on Horizontal Plane



---

Load Limits Curve

---

