

Product availability: Non-Stock - Not normally stocked in distribution facility



## Main

Range of product	Lexium Altivar
Product or component type	Braking resistor
Range compatibility	Lexium 05 Lexium 28 Lexium 32i Lexium 52 Altivar 32 Lexium 15 Altivar Machine ATV320 Lexium 32 Easy Lexium 16
Product compatibility	ATV32HU55N4 ATV32HU75N4 Variable speed drive ATV320 5.5 kW, 380...500 V, three phase Variable speed drive ATV320 7.5 kW, 380...500 V, three phase Variable speed drive ATV320 5.5 kW, 525...600 V, three phase Variable speed drive ATV320 7.5 kW, 525...600 V, three phase Motion servo drive LXM16D 0.75 kW, 200...230 V, single phase Motion servo drive LXM16D 1 kW, 200...230 V, single phase Motion servo drive LXM16D 1.5 kW, 200...230 V, single phase
Ohmic value	27 Ohm
Continuous power	400 W
Average power available	100 W 122 °F (50 °C)
Cable length	9.84 ft (3 m)

## Complementary

Energy peak	10500 J 480 V 11400 J 400 V 18100 J 230 V 25500 J 115 V
Protection type	Thermal protection via the servo drive
Product weight	3.57 lb(US) (1.62 kg)

## Environment

Ambient air temperature for operation	32...122 °F (0...50 °C)
Ambient air temperature for storage	-13...185 °F (-25...85 °C)
IP degree of protection	IP65
IP degree of protection	IP65

The information provided in this documentation contains general descriptions and/or technical characteristics of the performance of the products contained herein. This documentation is not intended as a substitute for and is not to be used for determining suitability or reliability of these products for specific user applications. It is the duty of any such user or integrator to perform the appropriate and complete risk analysis, evaluation and testing of the products with respect to the relevant specific application or use thereof. Neither Schneider Electric Industries SAS nor any of its affiliates or subsidiaries shall be responsible or liable for misuse of the information contained herein.

## Ordering and shipping details

Category	18263 - LEXIUM 32 ACCESSORIES
Discount Schedule	PC51
GTIN	00785901482543
Package weight(Lbs)	1.73 kg (3.82 lb(US))
Returnability	No
Country of origin	DE

## Offer Sustainability

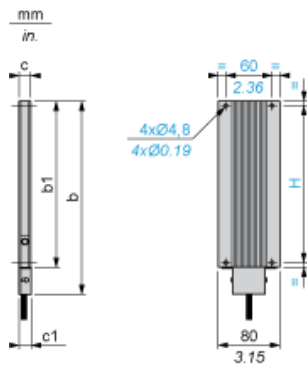
EU RoHS Directive	Pro-active compliance (Product out of EU RoHS legal scope) <a href="#">EU RoHS Declaration</a>
Toxic heavy metal free	Yes
Mercury free	Yes
RoHS exemption information	<a href="#">Yes</a>
China RoHS Regulation	<a href="#">China RoHS Declaration</a>

## Contractual warranty

Warranty	18 months
----------	-----------

Braking Resistor

Dimensions



Dimensions in mm

b	b1	c	c1	H
257	216	30	–	204

Dimensions in in.

b	b1	c	c1	H
10.11	8.50	1.18	–	8.03