

Product availability: Non-Stock - Not normally stocked in distribution facility



Main

Range of product	Modicon TSX Micro automation platform
Product or component type	Modular base controller
Primary voltage	100...240 V 90...264 V AC
Input current	2 mA 60 A
Immunity to micro-breaks	20 ms
Output current	0.5 A

Complementary

Number of slots	3
Integrated connection type	1 serial link (TER/AUX) Uni-Telway 19.2 kbit/s 1 Modbus Modbus RTU 19.2 kbit/s
Realtime clock	With
Memory description	Flash 15 Kwords data Internal RAM 20 Kwords data Internal RAM (with PCMCIA card) 128 Kwords program and data Internal RAM 128 Kwords data storage
Maximum size of object areas	128 %KWi constant words 256 %Mi 1 %MWi internal words
Execution time per instruction	0.13 μ s Boolean without PCMCIA card 4.5 μ s arithmetic REAL floating without PCMCIA card 0.19 μ s Boolean with PCMCIA card 4.5 μ s arithmetic REAL floating with PCMCIA card
Execution time for 1 Kinstruction	5.88 100 % Boolean without PCMCIA card 0.27 65 % Boolean and 35 % numerical without PCMCIA card 4 100 % Boolean with PCMCIA card 0.266 65 % Boolean and 35 % numerical with PCMCIA card
Application structure	16 event tasks 1 master task 1 fast task
System overhead	1.6 ms master task
Protection type	Overload protection Short-circuit
Total useful secondary power	16 W
Electromagnetic compatibility	Electrostatic discharge IEC 1000-4-2 level 3 Electromagnetic field immunity test IEC 1000-4-3 level 3 Resistance to fast transient IEC 1000-4-4 level 3 Immunity to impulse waves IEC 1000-4-5 Damped oscillatory wave IEC 1000-4-12 Immunity to electromagnetic interference IEC 61131-2

Environment

Ambient air temperature for operation	32...140 °F (0...60 °C)
Ambient air temperature for storage	-13...158 °F (-25...70 °C)
Relative humidity	10...95 % without condensation for operation 5...95 % without condensation for operation
Operating altitude	0...6561.68 ft (0...2000 m)
Width	13.44 in (341.4 mm)
Height	5.94 in (151 mm)

Depth	5.98 in (152 mm)
Net weight	3.79 lb(US) (1.72 kg)

Ordering and shipping details

Category	22556 - TSX MICRO, PL7 MICRO & ACCESS
Discount Schedule	PC14
GTIN	00785901871057
Package weight(Lbs)	1.81 kg (4 lb(US))
Returnability	No
Country of origin	FR

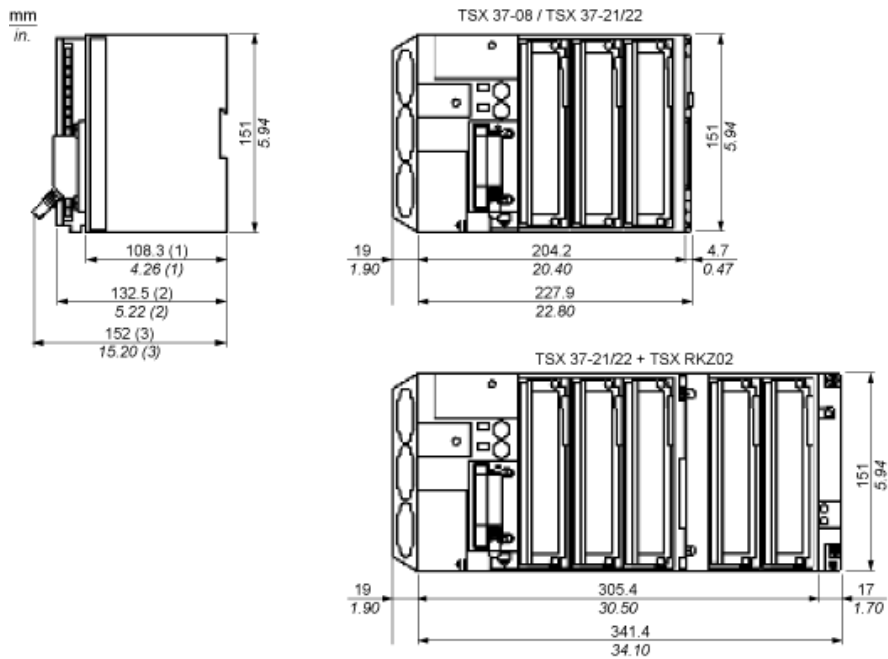
Offer Sustainability

REACH Regulation	REACH Declaration
EU RoHS Directive	Pro-active compliance (Product out of EU RoHS legal scope) EU RoHS Declaration
Mercury free	Yes
RoHS exemption information	Yes
China RoHS Regulation	China RoHS Declaration
WEEE	The product must be disposed on European Union markets following specific waste collection and never end up in rubbish bins.

Contractual warranty

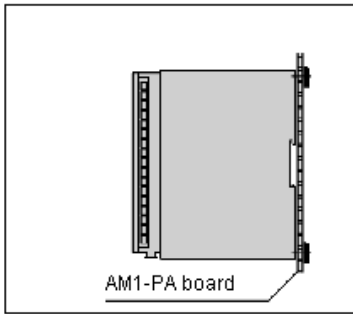
Warranty	18 months
----------	-----------

Dimensions



- (1) PLC empty.
- (2) With screw terminal block.
- (3) With HE10 or SubD connector.

Side View



Use 4 screws with M4x16AF1-VA416 captive washers and 4 M4 AF1-EA4 clip nuts.